

CLASS 2

X SERIES NARROW AISLE REACH TRUCK



**EFFICIENT
DURABLE
ERGONOMICAL**



hcforkliftamerica.com

CAPACITY 3,000 TO 4,500 LBS

EFFICIENT TRUCKS

The 3,000-4,500 lbs electric forklift with a pantograph is suitable for operations in narrow aisles and limited spaces. Featuring a high lift, big load capacity and small turning radius, as well as advanced performance, easy operations, high safety and reliability, etc., it is an ideal tool for materials handling in warehouses, supermarkets or workshops.

Appearance

Streamlined surface modelling, a smooth profile of the beautiful and generous truck.

Stability

- With the battery placed at the bottom of the chassis, the truck has good stability.
- With four-pivot structure, the truck has good stability when performing a high lift.

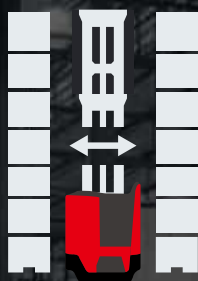




load capacities



reliability & safety



103.2"
Aisle width



421"
Max. Lift height

High Efficiency

- Thanks to the small turning radius, the truck can operate in narrow aisles.
- A high-power pump motor is used. The silent gear pump (CONCENTRIC) improve the lifting and lowering speed, as well as its operating efficiency.
- With several power modes, the truck is adapted to different operating conditions.
- The brake energy regeneration system provides long working time.



Comfort

The hanging pedal greatly improves the ride comfort and alleviates the operator's fatigue due to long-time driving.



The control handle and backrest can be adjusted according to the operator's habits.



The low pedal enable the operator to get on and off the truck more conveniently and comfortably.



The ergonomically arranged handle, backrest, instruments and switches make operations more comfortable and flexible.



A new optimized lifting system enables the operator's wider view through the mast and excellent line of sight.



The lateral removal of the battery provides easier maintenance and is applicable to continuous operating conditions.

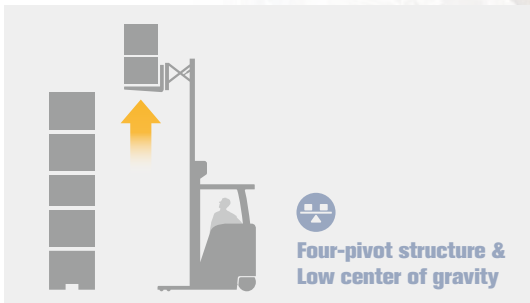


Reliability and Safety

- The four-pivot structure, low center of gravity and high strength of the main force-bearing components of the frame are appropriate to heavy load conditions.
- The main electrical components such as the controller, contactor, power plug and emergency cut-off switch are all products of well-known brands.
- ZF transmission\ SCHABMULLER drive motor and the efficient AC power system can greatly improved reliability and service life.
- The interlocked control of the steering angle, lifting height and travelling speed enables safer operations.



The multifunction control handle's unique shape and angle design helps minimize hand movements and muscle fatigue.



The two safety pedals can effectively reduce the risk from the maloperation.



The optimized design of the wide-view mast enables the operator to get a better view, and improves the operation safety.



Maintenance

- The brushless AC motor is maintenance-free and significantly reduces the maintenance cost.
- The fully open door enables easy repair, maintenance and tuning.
- The battery removed from side of the truck enables easy repair and maintenance.
- The controller and electrical components are placed together and highly integrated.



Advancement

- Instead of a traditional handbrake, EPB (Electric Parking Brake) is used to realize the intelligent braking.
- The high lifting and lowering speeds provides high efficiency.
- The suspension system and hanging pedals improve operating comfort.
- The integrated mechanical, electrical and hydraulic control realizes the step less speed regulation of the truck travelling and the fork movement, more precisely and stably.
- With efficient and precise adjustment performance, the newly equipped AC control system supports longer working time.



High
Efficiency



The large-screen LCD display with fault self-diagnosis functions can accurately display information in harsh environments.

Standard specification

- / AC motor and controller
- / Multi-function instrument
- / EPS (Electric Power Steering) system
- / 198" (5.03m) wide-view triplex mast
- / Fork tilting
- / Load backrest
- / Overhead guard
- / Soft landing system
- / Safe operating system
- / Automatic decelerate speed at the corner
- / Speed automatic limit when mast high lifting
- / Damper pedal
- / Adjustable backrest and armrest
- / Battery side roll out
- / Multi-task control handle
- / Electro-hydraulic proportional valve system
- / Polyurethane tire
- / Headlights
- / Folder
- / Emergency cut-off switch
- / Electric horn
- / Static strap
- / EPB (Eletric Parking Brake)

Options

- / Charger
- / Big capacity battery
- / Other length forks
- / Shield of mast
- / Widened or heightened load backrest
- / Sideshifter
- / Strobe light
- / Blue light
- / Rear working light
- / Cabin ceiling light
- / Overhead fan
- / Camera system
- / 12V power plug
- / Freezer
- / Fire extinguisher

Mast Specification

	Lift	Height, mast lowered	Height, mast extended		Free lift	Load capacity @610mm/24inch			
			With backrest	Without backrest		CQD14	CQD16	CQD18	CQD20
			in(mm)	in(mm)		lb/kg	lb/kg	lb/kg	lb/kg
Triplex full free mast	in(mm)	in(mm)	in(mm)	in(mm)	in(mm)	lb/kg	lb/kg	lb/kg	lb/kg
	198(5030)	95(2415)	239(6063)	239(6063)	53(1342)	3000(1360)	3500(1588)	4000(1814)	4500(2041)
	210(5330)	99(2515)	251(6363)	251(6363)	57(1442)	3000(1360)	3500(1588)	4000(1814)	4500(2041)
	240(6100)	107(2718)	281(7133)	281(7133)	65(1645)	3000(1360)	3500(1588)	4000(1814)	4000(1814)
	270(6860)	119(3025)	311(7893)	311(7893)	77(1952)	3000(1360)	3500(1588)	3500(1588)	3500(1588)
	299(7600)	133(3380)	340(8633)	340(8633)	91(2307)	3000(1360)	3000(1360)	3000(1360)	3000(1360)

With integral sideshifter minus 220lb(100kg).

Mast Specification (HEAVY DUTY)

	Lift	Height, mast lowered	Height, mast extended		Free lift	Load capacity @610mm/24inch			
			With backrest	Without backrest		CQD14	CQD16	CQD18	CQD20
			in(mm)	in(mm)		lb/kg	lb/kg	lb/kg	lb/kg
Triplex full free mast	in(mm)	in(mm)	in(mm)	in(mm)	in(mm)	lb/kg	lb/kg	lb/kg	lb/kg
	270(6860)	119(3025)	311(7893)	311(7893)	77(1952)	3000(1361)	3500(1588)	4000(1814)	4500(2041)
	299(7600)	133(3380)	340(8633)	340(8633)	91(2307)	3000(1361)	3500(1588)	3835(1750)	4000(1814)
	321(8150)	140(3560)	362(9183)	362(9183)	98(2487)	3000(1361)	3500(1588)	3748(1700)	3835(1750)
	341(8660)	149(3785)	382(9693)	382(9693)	107(2712)	3000(1361)	3500(1588)	3527(1600)	3638(1650)
	366(9300)	160(4060)	407(10333)	407(10333)	118(2987)	3000(1361)	3307(1500)	3307(1500)	3417(1550)
	400(10160)	172(4365)	441(11193)	441(11193)	130(3292)	3000(1361)	3086(1400)	3086(1400)	3197(1450)
	421(10700)	179(4545)	462(11733)	462(11733)	137(3472)	2866(1300)	2866(1300)	2866(1300)	2976(1350)

With integral sideshifter minus 220lb(100kg).

X Series Narrow Aisle Single Reach Truck

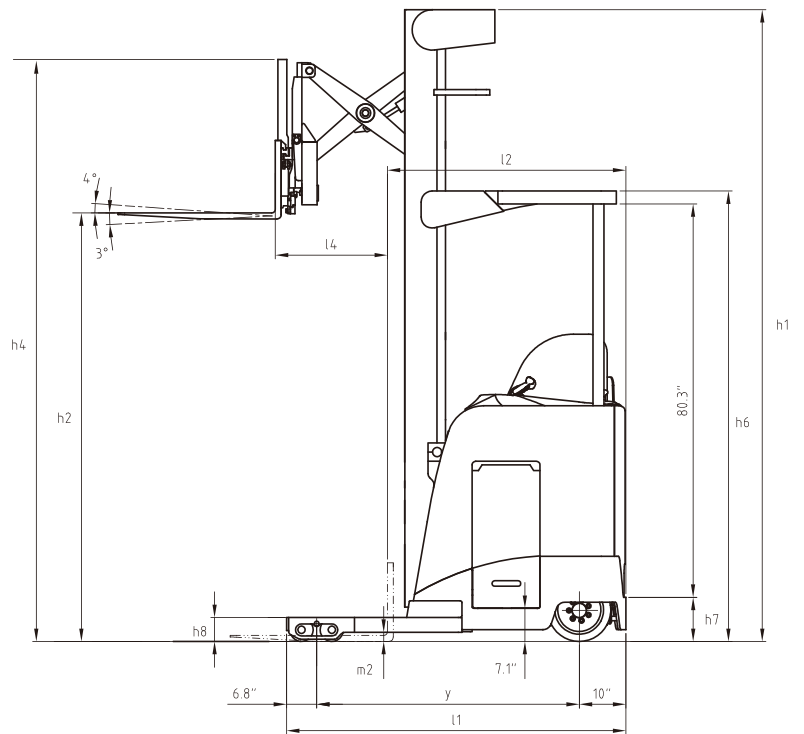
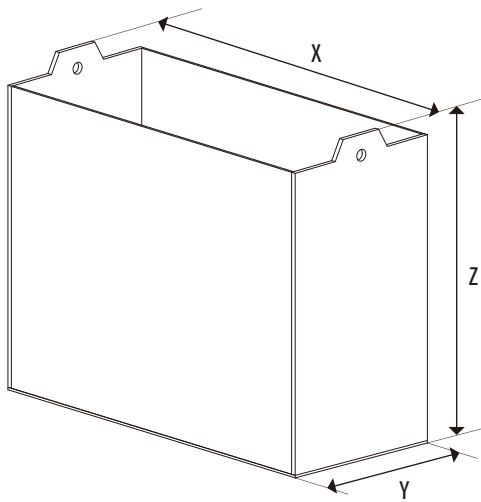
			HANGCHA GROUP CO.,LTD.				
Distinguishing mark	1.1	Manufacturer	SR14				
		HCFA Model	SR16	SR18	SR20		
	1.2	Manufacturer's type designation	CQD14-XD2-J	CQD16-XD2-J	CQD18-XD2-J	CQD20-XD2-J	
	1.3	Drive: electric (battery or mains), diesel, petrol, fuel gas	Electric				
	1.4	Operator type: hand, pedestrian, standing, seated, order-picker	Stand up				
	1.5	Rated capacity/rated load	Q (lb/kg)	3000 (1361)	3500 (1588)	4000 (1814)	4500 (2041)
	1.6	Load centre distance	c (in\mm)	24 (610)			
	1.8	Load distance, centre of drive axle to fork	x (in\mm)	10.8 (274)			
	1.9	Wheelbase	y (in\mm)	See table 1			
Weight	2.1	Service Weight, without Battery	lb (kg)	5677 (2575)		6140 (2785)	
	2.2	Axle loading, laden front/rear with assemble retracted	lb (kg)	6848(3106)/3646(1654) ①	7134(3236)/3801(1724) ①	7423(3367)/3953(1793) ①	8170(3706)/4352(1974) ①
	2.3	Axle loading, unladen front/rear with assemble retracted	lb (kg)	2899(1315)/4508(2045)①		3175(1440)/4938(2240) ①	
Tyres, chassis	3.1	Tyres: solid rubber, superelastic, pneumatic, polyurethane	Polyurethane				
	3.2	Wheels size, load	in(mm)	5×3.9(Φ127×99)			
	3.3	Wheels size, drive	in(mm)	13.5×5.5(Φ343×135)			
	3.4	Wheels size, caster	in(mm)	7.9×2.2(Φ200×56)			
Dimensions	4.1	Tilt of mast/fork carriage forward/backward	α / β (°)	3/4			
	4.2	Height, mast lowered	h ₁ (in\mm)	95/2415			
	4.3	Free lift	h ₂ (in\mm)	53/1342			
	4.4	Lift	h ₃ (in\mm)	198/5030			
	4.5	Height, mast extended	h ₄ (in\mm)	239/6063			
	4.7	Height of overhead guard	h ₆ (in\mm)	92.5(2350)			
	4.8	Stand height	h ₇ (in\mm)	9.5(240)			
	4.10	Height of wheel arms	h ₈ (in\mm)	5.1(130)			
	4.19	Overall length	l ₁ (in\mm)	See table 1			
	4.20	Length to face of forks	l ₂ (in\mm)	See table 1			
	4.21	Overall width	b ₁ (in\mm)	42.5(1080)			
	4.22	Fork dimensions, Std.	s/e/l (in\mm)	1.6/4.8/42(40/122/1070)			
		Fork dimensions, Opt.	s/e/l (in\mm)	1.8/4.8/L(45/122/L),L>1500			
	4.24	Fork-carriage width	b ₃ (in\mm)	37(942)			
	4.25	Distance between fork-arms	b ₅ (in\mm)	7.9-29.9(200-760)			
	4.26	Distance between wheel arms/loading surfaces	b ₄ (in\mm)	34-50(864-1270) (1" increments)			
	4.28	Reach distance	l ₄ (in\mm)	24(610)			
4.31	Ground clearance, laden, below mast	m ₁ (in\mm)	2(50)				
4.32	Ground clearance, centre of wheelbase	m ₂ (in\mm)	2(50)				
4.34	Aisle width for pallets (clearance 7.9")	Ast (in\mm)	See table 1				
4.35	Turning radius	W _a (in\mm)	See table 1				
Performance Data	5.1	Travel speed, laden/unladen	mph km/h	6.5/7.5 10.5/12			
	5.2	Lift speed, laden/unladen	fpm mm/s	78/105 395/535	72/105 365/535	68/105 345/535	65/105 330/535
	5.3	Lowering speed, laden/unladen	fpm mm/s	105/105 533/533			
	5.4	Reach speed,laden/unladen	fpm mm/s	31/35 160/180			
	5.7	Gradeability, laden/unladen	%	10/15			
		Parking brake		Electromagnetic			
Electric-engine	6.1	Drive motor rating S2 60 min	hp/kW	8.6(6.4)			
	6.2	Lift motor rating at S3 15%	hp/kW	17.4(13)			
	6.4	Battery voltage, nominal capacity 14.5"	V/Ah	36/660		/	
		Battery voltage, nominal capacity 16.5"	V/Ah	36/770		36/770	
		Battery voltage, nominal capacity 18.5"	V/Ah	/		36/880	
		Battery voltage, nominal capacity 21.5"	V/Ah	/		36/1100	
	6.5	Max. battery weight	lb (kg)	See table 1			
	Min. battery weight	lb (kg)	See table 1				
	Battery Compartment Size, l/b/h	in(mm)	See table 1				
Addition data	10.7	Sound pressure level at the driver's seat	dB (A)	62			

Note: ① With min. battery

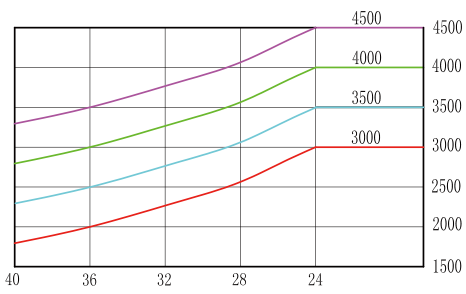
Table 1

Battery and compartment size				14.5"	16.5"	18.5"	21.5"
6.4	Battery Voltage		V	36	36	36	36
	Battery capacity maximum 5 Hr Rate		Ah	660	770	880	1100
	Battery Compartment	"X" Max.	in(mm)	38.8(985)	38.8(985)	38.8(985)	38.8(985)
		"Y" Max.	in(mm)	14.25(362)	16.25(413)	18.25(464)	21.25(540)
		"Z" Max.	in(mm)	30.7(780)	30.7(780)	30.7(780)	30.7(780)
6.5	Minimum Batt.Wt.		lb(kg)	1687(765)	1909(855)	2116(960)	2546(1155)
	Maximum Batt.Wt.		lb(kg)	1797(815)	2083(935)	2304(1045)	2789(1265)
1.9	Wheelbase		y (in\mm)	55.79(1417)	57.79(1469)	59.79(1519)	62.79(1595)
4.19	Overall length		l1 (in\mm)	72.7(1846)	74.7(1898)	76.7(1948)	79.7(2024)
4.20	Length to face of forks		l2 (in\mm)	55(1398) ②	57(1450) ②	59(1500) ②	62(1576) ②
4.35	Turning Radius		Wa (in\mm)	65.7(1670)	67.7(1722)	69.7(1772)	72.7(1848)
4.34	Ast 40"L(1026mm) × 48"W(1220mm) clearance 7.9"		Ast in(mm)	103.23(2622) ②	105.24(2673) ②	107.24(2724) ②	109.25(2775) ②
	Ast 48"L(1220mm) × 40"W(1026mm) clearance 7.9"		Ast in(mm)	110.87(2816) ②	112.87(2867) ②	114.88(2918) ②	116.88(2969) ②
	Ast 48"L(1220mm) × 32"W(813mm) clearance 7.9"		Ast in(mm)	110.87(2816) ②	112.87(2867) ②	114.88(2918) ②	116.88(2969) ②

Note: ② Add 1" (50mm) with sideshift

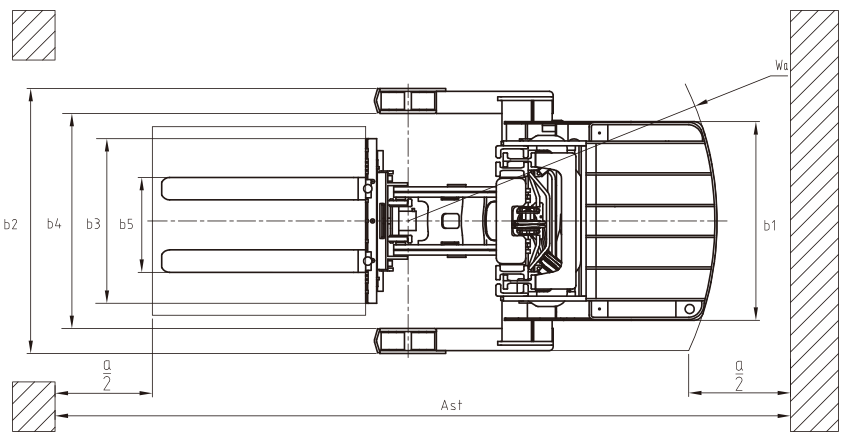


RATED CAPACITY AND LOAD DIAGRAM



LOAD CENTER DISTANCE (in)

RATED CAPACITY (lb)



a=7.9in

X Series Narrow Aisle Double Reach Truck

		HANGCHA GROUP CO.,LTD.	
Distinguishing mark	1.1	Manufacturer	
		HCFA Model	DR14 DR16
	1.2	Manufacturer's type designation	CQD14-XD2-JD CQD16-XD2-JD
	1.3	Drive: electric (battery or mains), diesel, petrol, fuel gas	Electric
	1.4	Operator type: hand, pedestrian, standing, seated, order-picker	Stand up
	1.5	Rated capacity/rated load	Q (lb/kg) 3000 (1361) 3500 (1588)
	1.6	Load centre distance	c (in\mm) 24 (610)
	1.8	Load distance, centre of drive axle to fork	x (in\mm) 14.2 (360)
	1.9	Wheelbase	y (in\mm) See table 2
Weight	2.1	Service Weight, without Battery	lb (kg) 5952(2700) 6062(2750)
	2.2	Axle loading, laden front/rear with assemble retracted	lb (kg) 6702(3040)/4068(1845) ① 7121(3230)/3891(1765) ①
	2.3	Axle loading, unladen front/rear with assemble retracted	lb (kg) 3009(1365)/4674(2120) ① 3120(1415)/4806(2180) ①
Tyres, chassis	3.1	Tyres: solid rubber, superelastic, pneumatic, polyurethane	Polyurethane
	3.2	Wheels size , load	in(mm) 5×3.9(Φ127×99)
	3.3	Wheels size , drive	in(mm) 13.5×5.5(Φ343×135)
	3.4	Wheels size , caster	in(mm) 7.9×2.2(Φ200×56)
Dimensions	4.1	Tilt of mast/fork carriage forward/backward	α / β (°) 3/4
	4.2	Height, mast lowered	h ₁ (in\mm) 2415
	4.3	Free lift	h ₂ (in\mm) 1342
	4.4	Lift	h ₃ (in\mm) 5030
	4.5	Height, mast extended	h ₄ (in\mm) 6063
	4.7	Height of overhead guard	h ₆ (in\mm) 92.5(2350)
	4.8	Stand height	h ₇ (in\mm) 9.5(240)
	4.10	Height of wheel arms	h ₈ (in\mm) 5.1(130)
	4.19	Overall length	l (in\mm) See table 2
	4.20	Length to face of forks	l ₂ (in\mm) See table 2
	4.21	Overall width	b ₁ (in\mm) 42.5(1080)
	4.22	Fork dimensions, Std.	s/e/l (in\mm) 1.6×4.8×42(40×122×1070)
		Fork dimensions, Opt.	s/e/l (in\mm) 1.8×4.8×L(45×122×L),L>2000
	4.24	Fork-carriage width	b ₃ (in\mm) 37(942)
	4.25	Distance between fork-arms	b ₅ (in\mm) 7.9-29.9(200-760)
	4.26	Distance between wheel arms/loading surfaces	b ₄ (in\mm) 34-50(864-1270) (1" increments)
4.28	Reach distance	l ₄ (in\mm) 42(1067)	
4.31	Ground clearance, laden, below mast	m ₁ (in\mm) 2(50)	
4.32	Ground clearance, centre of wheelbase	m ₂ (in\mm) 2(50)	
4.34	Aisle width for pallets (clearance 7.9")	Ast (in\mm) See table 2	
4.35	Turning radius	W _a (in\mm) See table 2	
Performance Data	5.1	Travel speed, laden/unladen	mph 6.5/7.5 km/h 10.5/12
	5.2	Lift speed, laden/unladen	fpm 78/105 mm/s 395/535
	5.3	Lowering speed, laden/unladen	fpm 105/105 mm/s 535/535
	5.4	Reach speed,laden/unladen	fpm 31/35 mm/s 160/180
	5.7	Gradeability, laden/unladen	% 10/15
		Parking brake	Electromagnetic
	6.1	Drive motor rating S2 60 min	hp/kW 8.0(6.0)
6.2	Lift motor rating at S3 15%	hp/kW 17.4(13)	
Electric-engine	6.4	Battery voltage, nominal capacity 14.5"	V/Ah 36/660 /
		Battery voltage, nominal capacity 16.5"	V/Ah 36/770 36/770
		Battery voltage, nominal capacity 18.5"	V/Ah / 36/880
		Battery voltage, nominal capacity 21.5"	V/Ah / 36/1100
	6.5	Max. battery weight	lb (kg) See table 2
		Min. battery weight	lb (kg) See table 2
		Battery Compartment Size, l/b/h	in(mm) See table 2
Addition data	10.7	Sound pressure level at the driver's seat	dB (A) 62

Note: ① With min. battery

Mast Specification

Triplex full free mast	Lift	Height, mast lowered	Height, mast extended		Free lift	Load capacity @1067mm/42inch	
			With backrest	Without backrest		CQD14	CQD16
	in(mm)	in(mm)	in(mm)	in(mm)	in(mm)	lb/kg	lb/kg
	198(5030)	95(2415)	239(6063)	239(6063)	53(1342)	3000(1361)	3500(1588)
	210(5330)	99(2515)	251(6363)	251(6363)	57(1442)	3000(1361)	3330(1510)
	240(6100)	107(2718)	281(7133)	281(7133)	65(1645)	2888(1310)	3000(1360)
	270(6860)	119(3025)	311(7893)	311(7893)	77(1952)	2490(1130)	2600(1180)
	299(7600)	133(3380)	340(8633)	340(8633)	91(2307)	2116(960)	2227(1010)

With integral sideshifter minus 220lb(100kg).

Mast Specification (HEAVY DUTY)

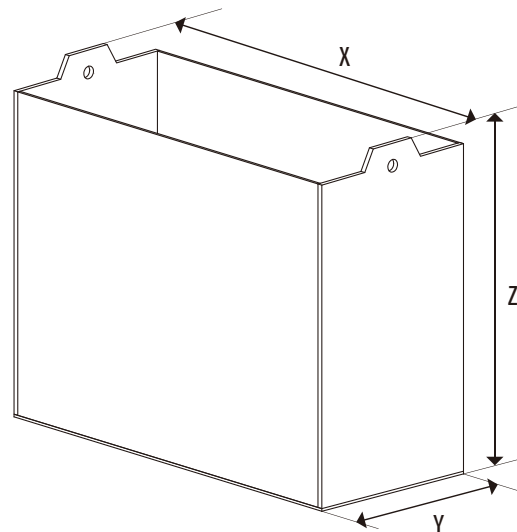
Triplex full free mast	Lift	Height, mast lowered	Height, mast extended		Free lift	Load capacity @1067mm/42inch	
			With backrest	Without backrest		CQD14	CQD16
	in(mm)	in(mm)	in(mm)	in(mm)	in(mm)	lb/kg	lb/kg
	270(6860)	119(3025)	311(7893)	311(7893)	77(1952)	3000(1361)	3500(1588)
	299(7600)	133(3380)	340(8633)	340(8633)	91(2307)	3000(1361)	3417(1550)
	321(8150)	140(3560)	362(9183)	362(9183)	98(2487)	3000(1361)	3307(1500)
	341(8660)	149(3785)	382(9693)	382(9693)	107(2712)	3000(1361)	3197(1450)
	366(9300)	160(4060)	407(10333)	407(10333)	118(2987)	2866(1300)	2976(1350)
	400(10160)	172(4365)	441(11193)	441(11193)	130(3292)	2646(1200)	2756(1250)
	421(10700)	179(4545)	462(11733)	462(11733)	137(3472)	2315(1050)	2425(1100)

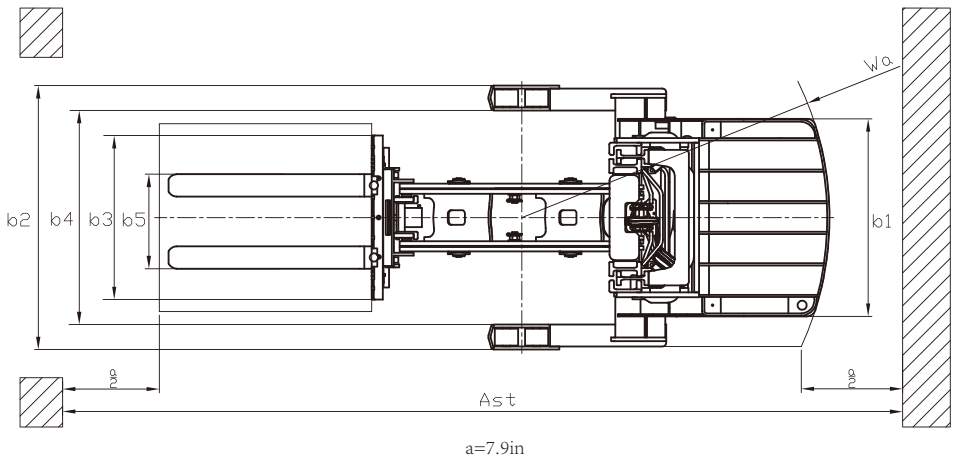
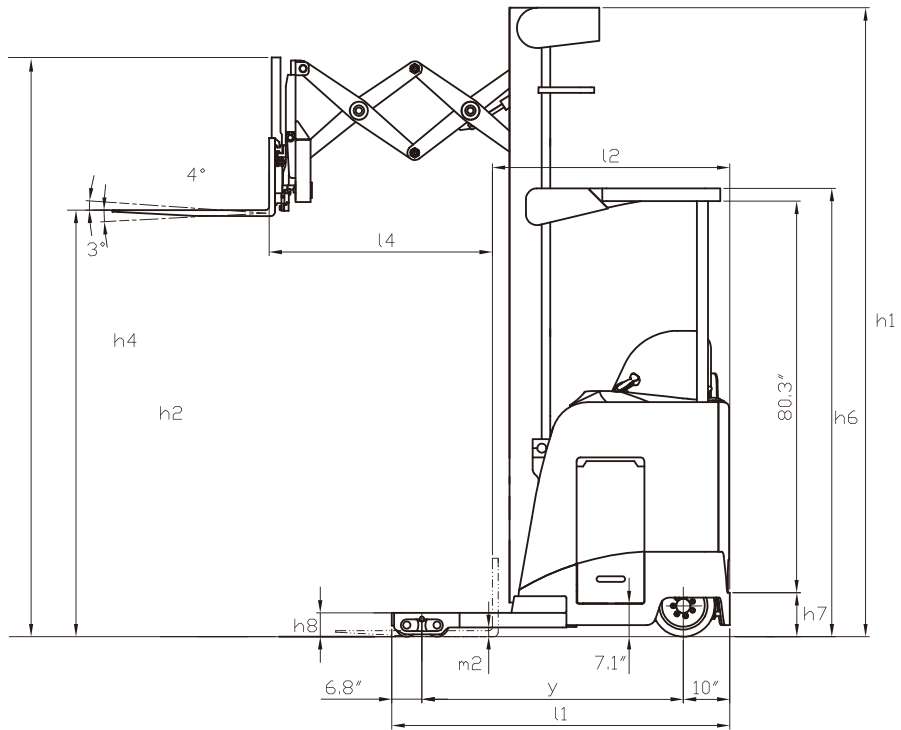
With integral sideshifter minus 220lb(100kg).

Table 2

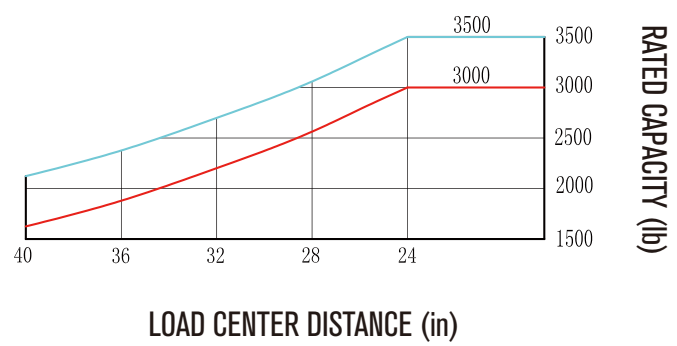
Battery and compartment size			14.5"	16.5"	18.5"	21.5"
6.4	Battery Voltage	V	36	36	36	36
	Battery capacity maximum 5 Hr Rate	Ah	660	770	880	1100
Battery Compartment	"X" Max.	in(mm)	38.8(985)	38.8(985)	38.8(985)	38.8(985)
	"Y" Max.	in(mm)	14.25(362)	16.25(413)	18.25(464)	21.25(540)
	"Z" Max.	in(mm)	30.7(780)	30.7(780)	30.7(780)	30.7(780)
6.5	Minimum Batt.Wt.	lb(kg)	1687(765)	1909(855)	2116(960)	2546(1155)
	Maximum Batt.Wt.	lb(kg)	1797(815)	2083(935)	2304(1045)	2789(1265)
1.9	Wheelbase	y (in\mm)	60.79(1544)	62.79(1596)	64.79(1646)	67.79(1722)
4.19	Overall length	l ₁ (in\mm)	75.7(1973)	77.7(2025)	79.7(2075)	82.7(2101)
4.20	Length to face of forks	l ₂ (in\mm)	62.6(1589) ②	64.6(1641) ②	67.6(1691) ②	67.6(1717) ②
4.35	Turning Radius	Wa (in\mm)	70.7(1797)	72.7(1849)	74.7(1899)	77.7(2025)
4.34	Ast 40"L(1026mm)×48"W(1220mm) clearance 7.9"	Ast in(mm)	104.8(2662) ②	106.81(2713) ②	108.82(2764) ②	110.83(2815) ②
	Ast 48"L(1220mm)×40"W(1026mm) clearance 7.9"	Ast in(mm)	112.44(2856) ②	114.45(2907) ②	116.46(2958) ②	118.46(3009) ②
	Ast 48"L(1220mm)×32"W(813mm) clearance 7.9"	Ast in(mm)	112.44(2856) ②	114.45(2907) ②	116.46(2958) ②	118.46(3009) ②

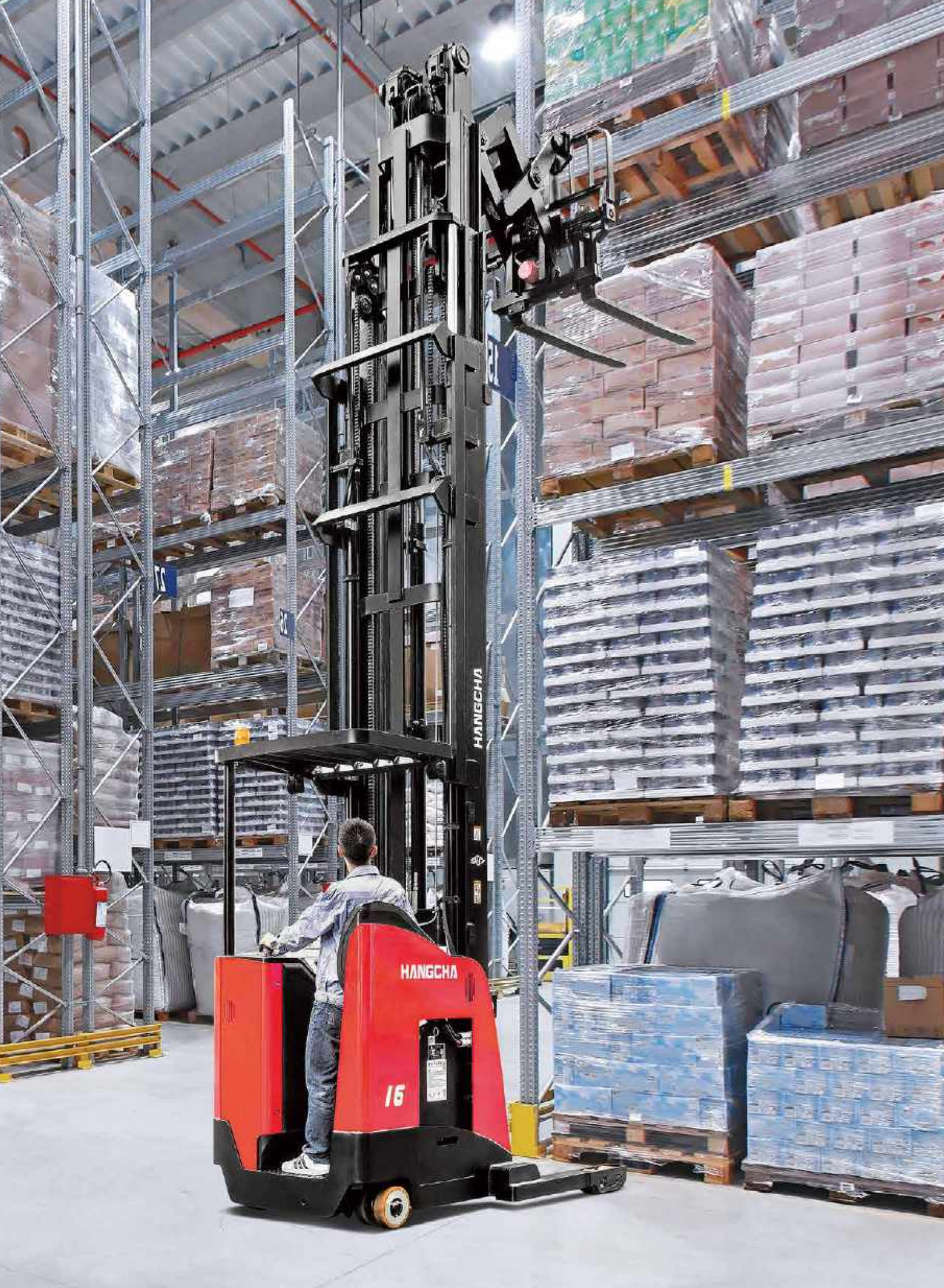
Note: ②Add 1" (50mm) with sideshift





RATED CAPACITY AND LOAD DIAGRAM







HANGCHA FORKLIFT CANADA INC.

Company address:

6-980 Rue Valois, Vaudreuil-Dorion,
QC, J7V 8P2, Canada

Toll Free: 877-319-HCFC (4232)
Landline: 450-319-HCFC

info@hcforkliftcanada.com
www.hcforkliftcanada.com



Follow us on
Facebook



Follow us on
YouTube



Follow us on
WeChat



Download "Hangcha
Forklift" App

HANGCHA GROUP CO., LTD. reserves the right to make any changes without notice concerning colors, equipment, or specifications detailed in this brochure, or to discontinue individual models. The colors of trucks, delivered may differ slightly from those in brochures.