

# A Series Electric Lithium-ion Center Control Rider Pallet Truck

with capacities of 6,000-8,000lbs

*The World of Hangcha*  
SINCE 1956



# LET THE LITHIUM POWER UNLEASH



HANGCHA PROVIDES UP TO A  
**5 YEAR OR 10000 HOUR** GUARANTEE  
ON THE LITHIUM-ION BATTERY PACKS.

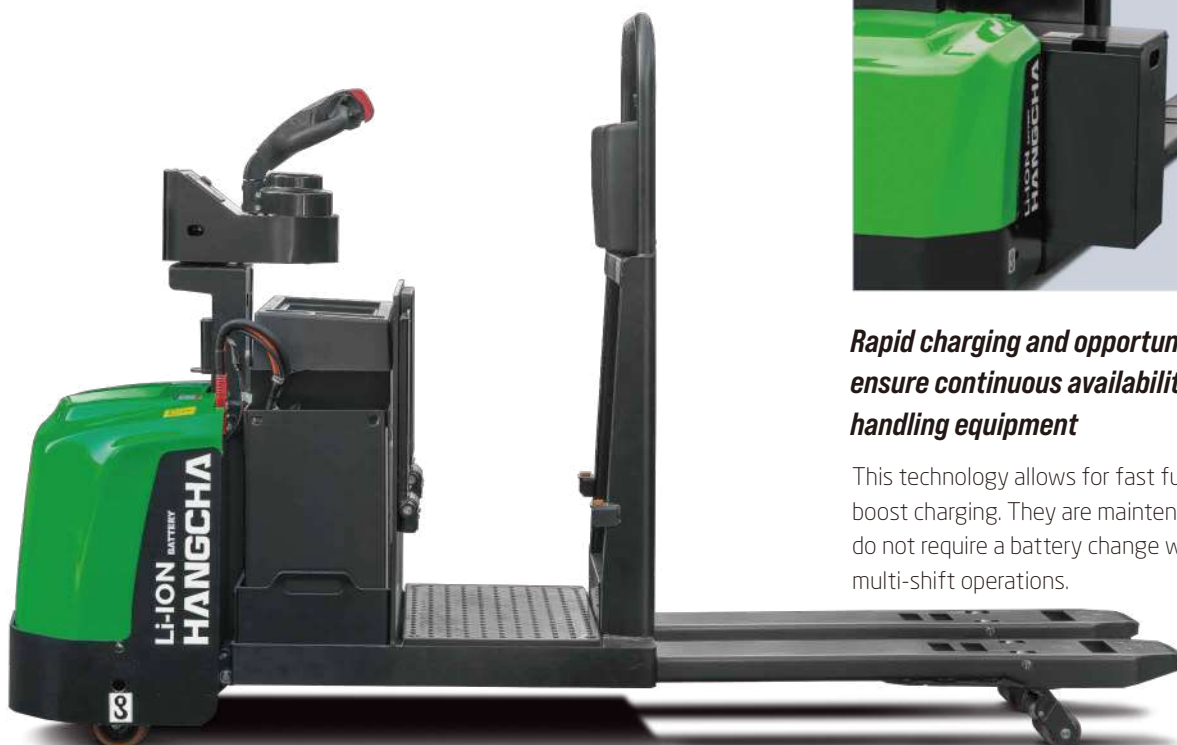
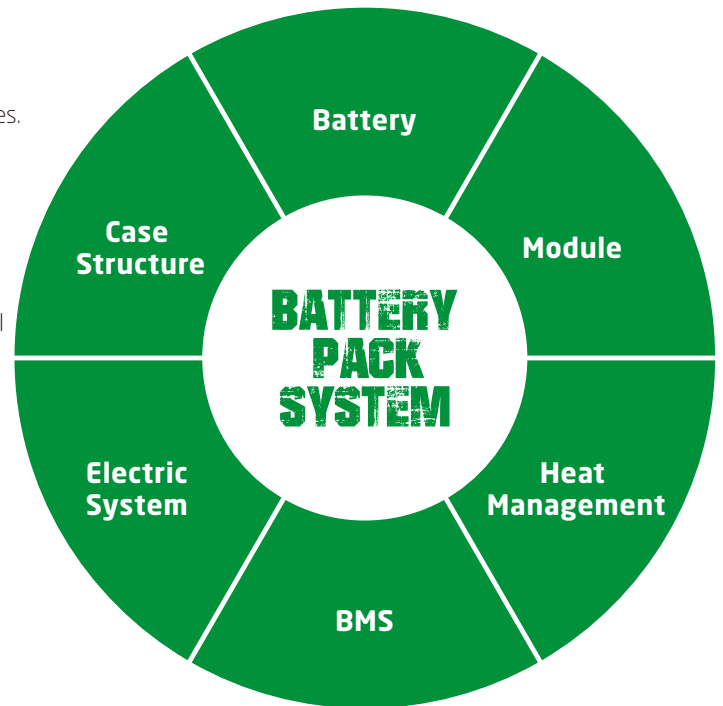


**5 YEAR**  
**WARRANTY**

# INNOVATIVE SOLUTIONS NEW POWER NOW

Lithium-ion technology (Lithium Iron Phosphate), was developed jointly by HANGCHA and CATL for use in material handling equipment applications. These innovative and reliable battery cells and modules are manufactured to the highest standard by CATL exclusively for HANGCHA's forklift line.

- / **Battery Technology:** We use square lithium iron phosphate batteries. These are the same type of batteries used in new electric vehicles.
- / **Design:** The module uses a sturdy and lightweight aluminum alloy frame. It is also designed to provide excellent heat dissipation.
- / **Safe and Effective:** Charging efficiency as high as 98% and the thermal runaway temperature is at 600 °C and above.
- / **Adapted to Low Temperatures:** Comes standard with an electrical heating feature, ensuring normal operation in low temperatures.
- / **Efficient:** Can use opportunity charging to allow for continuous use in multi-shift operations.
- / **Long-Lasting:** 4000 charging cycles with a capacity retention greater than 80%.
- / **Maintenance-Free:** Lithium-ion batteries do not require manual maintenance such as watering.
- / **Green and clean:** The batteries are pollution-free, release zero emissions, and are recyclable.



***Rapid charging and opportunity charging ensure continuous availability of material handling equipment***

This technology allows for fast full charging or boost charging. They are maintenance free and do not require a battery change when used in multi-shift operations.



# PERFORMANCE INNOVATION QUICKPICK

The A Series Electric Lithium-ion Center Control Rider Pallet Truck is a logistics handling device developed by Hangcha Group for the high-intensity operating conditions of the North American market. With the AC drive technology, it offers high performance and low maintenance costs. It is also safe, reliable, and can be easily operated. This center control rider pallet truck is an ideal tool for loading, unloading, and handling palletized goods in warehouses and workshops.



## Appearance

- / The A Series Center Control Rider Pallet Truck has a smooth vivid profile and was designed to be ergonomic. The exterior of this forklift is powder coated in a durable, easy to see, green finish that designates it as a lithium-ion powered pallet truck.
- / This pallet truck uses stamped steel plates and injection molded parts. This creates a robust and durable product that is able to successfully take on the wear and tear of a warehouse environment.

## Comfort

- / The operating compartment provides a large and comfortable workspace for the user.
- / Thanks to the tiller's design, all operations can be completed with one hand.
- / When in turtle mode, the truck can be driven slow easily, and more accurately.
- / The pallet truck was designed to provide excellent visibility while it is being operated.  
The operator is able to get on and off the pallet truck with ease thanks to how the operator platform is designed.

## Reliability

- / With a high-strength steel frame structure, the truck's frame has a large residual load capacity and a long service life.
- / The auxiliary wheel uses a shock absorber-torsion bar structure to ensure that the forklift has good stability.
- / The electrical system uses waterproof connectors and protection on the wires and cables to improve the electronic's reliability.
- / The pump motor has a longer service life and saves energy because of the electronic lifting limit switch on the motor.
- / The low noise and vibration hydraulic power unit enables stable and reliable lifting and lowering.
- / The punched formed forks provide higher strength and are impact resistant.
- / The pallet truck is equipped with tip guides to improve operational efficiency.



## High Performance

- / The electric power steering system helps operators to easily maneuver the pallet truck.
- / The maintenance-free, high-power, brushless AC traction motor has excellent acceleration, performance, good climbing ability, and low heat generation.
- / The CURTIS control system provides accurate, stable, and more efficient control of the AC traction motor.
- / The CANBUS structure makes the communication between the different parts on the truck faster and more reliable.
- / The truck uses the regenerative braking system to prevent the pallet truck from sliding down a ramp.
- / The hydraulic pump, switches, controller, connectors, and battery plug are all parts from industry known suppliers to ensure reliability, performance, and ease of service.



Battery Side Roll Out



The tiller and instrument display can be moved sideways to allow for more room when changing the battery.





貨位号A6-2-3L上

貨位号A6-2-3R上

貨位号A6-2-2L中  
貨位号A6-2-1L下

2

2R中  
R下

Li-ION BATTERY  
**HANGCHA**

8

OKANETSU



# HIGH-POSITION PICKING

THE OPTIONAL AUXILIARY FOOTBOARD IS SUITABLE FOR HIGH-POSITION PICKING



# EFFICIENT PICKING

---

THE DRIVER CAN DRIVE WITH  
THE PEDAL RELEASED TO IMPROVE  
THE EFFICIENCY OF PICKING







## Safety

- / The center control pallet truck features both release and emergency brakes to ensure safe driving.
- / Regenerative braking prevents the pallet truck from sliding down ramps for operational safety.
- / The red brake button on the head of the tiller causes the pallet truck to brake when pressed. This prevents the operator from being injured.
- / The pallet truck has dual protection features for operator safety. The lifting limit switch prevents the mechanism from lifting the load too high. The controller prevents the pallet truck from rapidly starting or stopping. These features ensure that the load won't shift and hurt the operator.
- / When the operator releases the pedal while driving, the truck will automatically reduce its travel speed and steering angle. The truck also disables the lifting and lowering functions to ensure operator safety.

## Maintenance

- / The brushless AC drive motor is maintenance-free. This significantly reduces the operating costs of the pallet truck.
- / The multi-functional, large screen instrument display includes the battery display, real-time speed, and self-diagnostic functions to facilitate maintenance and operation.
- / The maintenance hatch opens to allow for easy access to all of the truck's components.
- / The spindles are equipped with lubricated sleeves and oil cups to facilitate maintenance and promote a long service life.





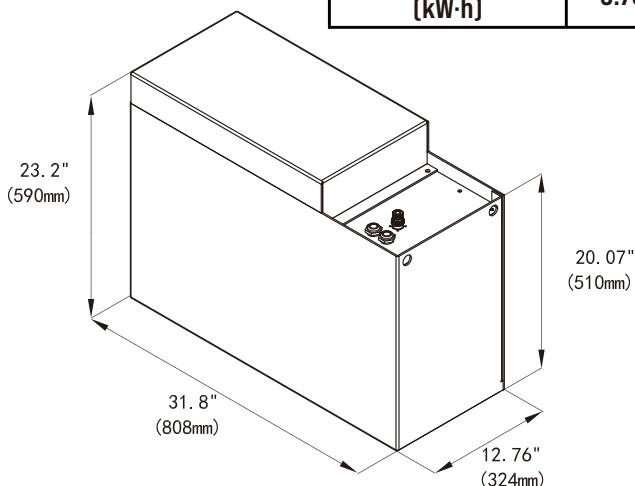
# ***TOUGH EFFICIENT EFFORTLESS***



## **CATL Lithium Iron Phosphate Battery Packs**

- / Integrated Battery Management System (BMS) continually monitors energy management and ensures reliable operation.
- / HANGCHA provides these Lithium Iron Phosphate (LiFePO<sub>4</sub>) battery packs with up to a 5 year or 10,000 hour warranty.
- / See warranty certificate for specific warranty information on the Lithium Iron Phosphate battery packs.

<b>Standard Battery Capacity</b>	
<b>Battery Capacity (V/Ah) (kW·h)</b>	<b>24V/404Ah 9.70kW·h</b>



## **Standard Specification**

- / Brushless AC Drive Motor
- / Curtis Controller
- / Hydraulic Power Unit
- / Multi-Functional Large LCD Screen Instrument Display
- / Electric Power Steering System
- / Key Switch
- / Electronic Lifting Limit
- / Horn
- / Polyurethane Drive Wheel
- / Polyurethane Load Wheel

## **Options**

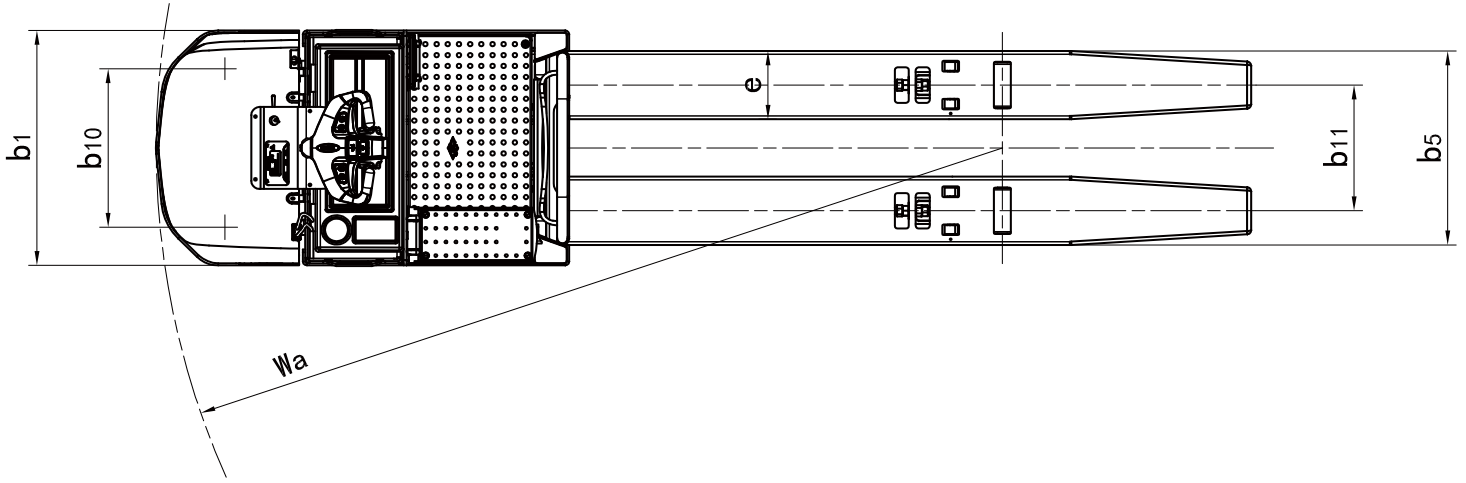
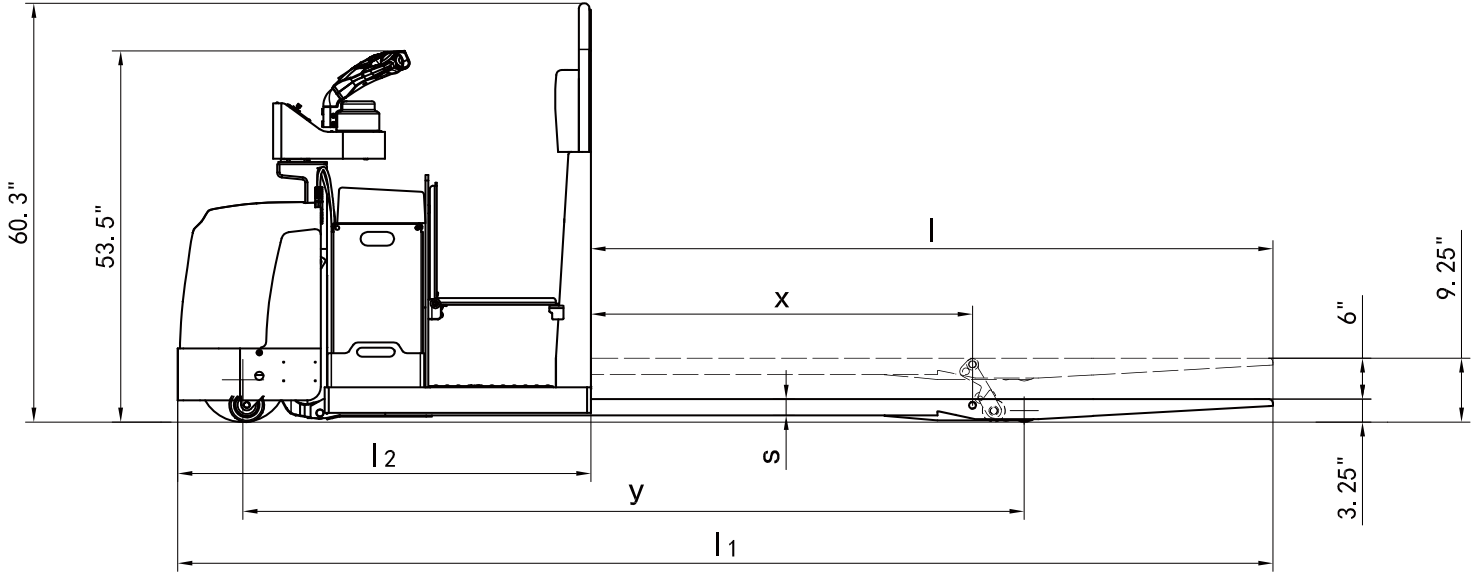
- / Second Level Order Picking Platform
- / Packaging Film Holder
- / Storage Box

# A Series Electric Lithium-ion Center Control Rider Pallet Truck Specification

		HANGCHA GROUP CO.,LTD.			
Distinguishing Marks	1.1	Manufacturer			
		HCFA Model	CCR27Li	CCR36Li	
	1.2	Manufacturer's Type Designation	CBD27-ACIS-CNAI	CBD36-ACIS-CNAI	
	1.3	Drive: electric (battery or mains), diesel, petrol, fuel gas	Electric	Electric	
	1.4	Operator Type	Rider	Rider	
	1.5	Rated Capacity/Rated Load	Q(lb/kg)	6000/2700	8000/3600
	1.6	Load Centre Distance	c(in/mm)	48/1220	48/1220
	1.8	Load Distance, centre of drive axle to fork	x(in/mm)	53.7/1365	53.7/1365
Weight	1.9	Wheelbase (Fork Raised)	y(in/mm)	110/2690	
	2.1	Service Weight	lb/kg	2315/1050	
Tires & Chassis	3.1	Tires: solid rubber, superelastic, pneumatic, polyurethane		Polyurethane	Polyurethane
	3.2	Tire size, front	in/mm	Φ12.2×4.3/Φ310×110	Φ12.2×4.3/Φ310×110
	3.3	Tire size, rear	in/mm	Φ3.25×6.5/Φ83×165	Φ3.25×6.5/Φ83×165
	3.4	Additional Wheel (dimensions)	in/mm	Φ5×2.4/Φ125×60	Φ5×2.4/Φ125×60
	3.5	Wheels, number front / rear (x = driven wheels)		1×+2/2	1×+2/2
	3.6	Tread, front	b <sub>10</sub> (in/mm)	23.2/590	23.2/590
	3.7	Tread, rear	b <sub>11</sub> (in/mm)	18.1/460	18.1/460
Dimensions	4.4	Lift	h <sub>3</sub> (in/mm)	6/150	6/150
	4.15	Fork Height, lowered	h <sub>13</sub> (in/mm)	3.25/83	3.25/83
	4.19	Overall Length	l <sub>1</sub> (in/mm)	154.3/3918	154.3/3918
	4.2	Head Length	l <sub>2</sub> (in/mm)	58.2/1478	58.2/1478
	4.21	Overall Width	b (in/mm)	33.8/860	33.8/860
	4.22	Fork Dimensions	s/e/l (in/mm)	2.36/9.84/96 (60/250/2440)	2.36/9.84/96 (60/250/2440)
	4.25	Distance between Fork-Arms	bs (in/mm)	28/710	28/710
4.35	Turning Radius (Fork Raised)	W <sub>a</sub> (in/mm)	114.8/2915	114.8/2915	
Performance Data	5.1	Travel Speed, laden/unladen	mph(kph)	5.6/8.7 (9.5/14)	5.6/8.7 (9.5/14)
	5.8	Max Gradeability, laden/unladen	%	8/15	8/15
	5.10	Service Brake		Electromagnetic	Electromagnetic
Electric Motor	6.1	Drive Motor Rating S2 60 Min	hp/kW	5.36/4	5.36/4
	6.2	Lift Motor Rating at S3 15%	hp/kW	2.95/2.2	2.95/2.2
	6.4	Battery Voltage, nominal capacity K5	V/Ah	24V/404Ah	24V/404Ah
	8.1	Type of Drive Control		AC	AC
	9.1	Manufacturer		Curtis	Curtis









**HANGCHA FORKLIFT CANADA INC.**

**Company address:**

6-980 Rue Valois, Vaudreuil-Dorion,  
QC, J7V 8P2, Canada

Toll Free: 877-319-HCFC (4232)

Landline: 450-319-HCFC

[info@hcforkliftcanada.com](mailto:info@hcforkliftcanada.com)

[www.hcforkliftcanada.com](http://www.hcforkliftcanada.com)



ISO14001:2015



ISO9001:2015



Follow us on  
Facebook



Follow us on  
YouTube



Follow us on  
WeChat



Download "Hangcha  
Forklift" App

HANGCHA GROUP CO., LTD. reserves the right to make any changes without notice concerning colors, equipment, or specifications detailed in this brochure, or to discontinue individual models. The colors of trucks, delivered may differ slightly from those in brochures.