



# XF Series Box Car Special Forklift

with capacities of 8,000 to 12,000lbs

*The World of Hangcha*



## CONCEPT

XF Series Box Car Special Forklift is developed on basis of existing XF series by Hangcha, with world-leading technologies, a world-class forklift that can meet your demand in all dimensions thanks to the overall upgrading in appearance modeling, energy conservation and environmental protection, comfort, safety, and reliability. Application of new technologies including load-sensing hydraulic system, energy-efficient lighting system, low-emission engine, effective noise and vibration control, and brand-new control system offers higher efficiency and lower cost for your work.



## LED lighting system and environmentally-friendly materials for entire truck



LED lights are applied for entire truck. It saves power and energy, with significantly increased performance and service life of lights.

Environmentally-friendly materials are applied for the entire truck to minimize damage to environment.

## Visualized LCD instrument panel



Newly developed LCD meters have more complete functions and more stable performance. Important information including running status of the entire truck and failure of the engine (electronically controlled engine) can be displayed completely, so that the operator can understand status of the truck in a visualized manner, for easy maintenance.



*Suspension Seat*

**61.8 INCHES**  
*Short Wheelbase*



## Wide-view mast offering better visibility

New type of steel channels and mast system of brand-new design are applied to increase visibility in front of the driver.



Low LPG fuel warning indicator



### **Safety lock for engine hood**

It is safe for driving by the operator, and can be opened easily.

### **Reliable hydraulic system**

Optimized hydraulic breather structure, with built-in return oil filter, increases service life of hydraulic oil system;

Load-sensing hydraulic steering system is highly energy efficient.

### **Cooling system of optimized design**

Aluminum plate-fin radiator of stronger cooling performance and higher structural strength is applied, with independent oil radiator, optimized heat transfer channel, and counterweight with dual-hole ventilation, which improve cooling efficiency substantially, increase reliability for heavy-load operation, and guarantee reliable work of the engine.

### **New generation of integrated electrical box**

The new generation of integrated electrical box is applied, with reasonable layout, easy for service and maintenance, with better waterproof performance.

The entire truck is equipped with waterproof connectors, with increased waterproof performance.



### **Full-view rear view mirror**

Full-view rear view mirror provides wider rear view, safer for operation.





人人

B4

杭州奔丰汽车座椅有限公司  
HANGCHOU BENFENG AUTO SEAT CO., LTD.  
工程车(叉车)座椅  
CONSTRUCTION VEHICLE SEAT

地址:浙江省杭州市萧山区瓜沥镇义桥村工业园区  
电话:0571-82551419 0571-82551418  
传真:0571-82551427 网址:www.bfseats.com

杭州奔丰汽车座椅有限公司  
HANGCHOU BENFENG AUTO SEAT CO., LTD.  
工程车(叉车)座椅  
CONSTRUCTION VEHICLE SEAT

地址:浙江省杭州市萧山区瓜沥镇义桥村工业园区  
电话:0571-82551419 0571-82551418  
传真:0571-82551427 网址:www.bfseats.com

杭州奔丰汽车座椅有限公司  
HANGCHOU BENFENG AUTO SEAT CO., LTD.  
工程车(叉车)座椅  
CONSTRUCTION VEHICLE SEAT

地址:浙江省杭州市萧山区瓜沥镇义桥村工业园区  
电话:0571-82551419 0571-82551418  
传真:0571-82551427 网址:www.bfseats.com

杭州奔丰汽车座椅有限公司  
HANGCHOU BENFENG AUTO SEAT CO., LTD.  
工程车(叉车)座椅  
CONSTRUCTION VEHICLE SEAT

地址:浙江省杭州市萧山区瓜沥镇义桥村工业园区  
电话:0571-82551419 0571-82551418  
传真:0571-82551427 网址:www.bfseats.com

HANGCHA

3

45

**TOUGH  
TRUCKS**



### **New steering wheel adjusting mechanism**

Small-diameter steering wheel and electro-hydraulic steering (hydraulic transmission) design, and car-like combination switch of double handles, increase operator comfort substantially.



The OKAMURA transmission is provided with the Power Take-Off (PTO), the gear pump driving is reliable and has high efficiency.



### **North America certified engine**

High power and high torque, favorable clean emission, and excellent fuel economy;

Emission standard of the engine is in compliance with EPA/CARB Tier2;

Electronically controlled engine.



### **Large hand grip**

Large hand grip of optimized design enables easier access to the truck.



### **High-strength suspension overhead guard**

The overhead guard is fabricated with specially-shaped steel tubes, with high strength; integral overhead guard, easy for repair and disassembly; flexible connection is applied between overhead guard and truck frame, with small vibration, which increases operator comfort substantially.



### **Steering axle**

Large-sized conical bearing is applied at master pin of the steering axle, together with a large-diameter steering cylinder, and buffer blocks at top, which increase reliability of the steering axle substantially.

## Standard Configuration

- / Traction unit
- / Small-diameter steering wheel
- / Integrated combination switch
- / Extended hand grip
- / Steering wheel adjusting device
- / Cable-type parking brake (with self-lock)
- / Suspension seat with safety belt
- / Large-capacity aluminum radiator
- / Dynamic load sensing system
- / Suspension integral overhead guard
- / Whirlwind high-efficiency air filter
- / Hydraulic oil suction filter element
- / Rain cover of overhead guard
- / Safe filter element
- / Inclined oil way latching valve
- / Full-view rear view mirror
- / High-efficiency exhaust muffler
- / Hydraulic oil dipstick
- / High-performance tire
- / Access/exit safe step
- / High-efficiency LED combination front lamp
- / Large rubber pedal pad
- / High-efficiency LED combination rear lamp
- / Full floating transmission
- / Steering wheel adjusting device
- / Maintenance-free battery
- / Transmission oil filter element
- / Hydraulic oil return oil filter element
- / Combined LCD meters
- / Gearbox dipstick
- / Engine hood spring
- / Integrated controller
- / Gearbox oil cooler
- / File folder
- / Alarm light
- / Non-asbestos brake
- / Electro-hydraulic steering
- / Charging reminder
- / Suspension operation pedal
- / Oil gauge
- / Water thermometer
- / Cup holder
- / Preheating indication
- / Duplex wide-view mast
- / Charge indication
- / Standard fork
- / Timer
- / Standard carriage
- / Engine oil pressure alarm
- / Standard back rest
- / Gearbox oil temperature alarm
- / Maintenance reminder
- / Load safety valve
- / Horn
- / Soft landing system
- / Reversing buzzer
- / Mast lifting buffer device
- / Tilt piston rod jacket
- / Fan protector
- / Reversing assist grip with horn button
- / Front acoustic hood of steering wheels
- / Low LPG fuel warning indicator
- / Double soundproof pad of hood
- / Swing-out LP bracket
- / Speed control switch
- / Smooth cushion tyre

## Options

- / Customized painting
- / Emergence power switch
- / LED rear work light
- / Auxiliary hydraulic valve group
- / Over-speed alarm
- / Engine hood lock
- / Fire extinguisher
- / OPS system
- / High-low overhead guard
- / Noise reduction package
- / Radiator screen
- / Pre-cleaner
- / Blue light
- / Counter weight net
- / Swing-down LP bracket
- / Traction tyre
- / Non-marking cushion

## Special Mast Devices

- / Duplex wide-view full-free mast
- / Triplex wide-view full-free mast
- / Special duplex wide-view mast
- / Wider carriage
- / Special fork

## Optional Accessories

- / Paper roll clamp
- / Side-shift fork
- / Rotating flat clamp
- / Rotating fork
- / Load stabilizer
- / Fork extension
- / Multi-drum clamp
- / Load release device
- / Bale clamp
- / Carton clamp
- / Oil barrel clamp
- / Push-pull device
- / Dumping clamp
- / Bucket
- / Crane arm
- / Lifting hook
- / String pole
- / Extended fork
- / Weighing system



## 8000lbs XF series mast:(Cushion)

Type	Model	Max. fork height	Overall height				Free lift		Front Overhang	Tilt range	Capacity	
			Lowered	Extended		Without backrest	With backrest	FIR			Load capacity at 24 in (600mm)	
				Without backrest	With backrest							lb(kg)
		in (mm)	in (mm)	in (mm)	in (mm)	in (mm)	in (mm)	in (mm)	(°)			
Wide view mast	XBC35M250	98.4(2500)	76.4(1940)	130.5(3315)	146.7(3725)	4.3(110)	4.3(110)	17.7(450)	5/6	8000(3500)		
	XBC35M280	110.2(2800)	82.3(2090)	142.3(3615)	158.5(4025)	4.3(110)	4.3(110)	17.7(450)	5/6	8000(3500)		
	XBC35M300	118.1(3000)	86.2(2190)	150.2(3815)	166.3(4225)	4.3(110)	4.3(110)	17.7(450)	5/6	8000(3500)		
	XBC35M330	129.9(3300)	95.3(2420)	162(4115)	178.1(4525)	4.3(110)	4.3(110)	17.7(450)	5/6	8000(3500)		
	XBC35M340	133.9(3400)	97.2(2470)	165.9(4215)	182.1(4625)	4.3(110)	4.3(110)	17.7(450)	5/6	8000(3500)		
	XBC35M350	137.8(3500)	99.2(2520)	169.9(4315)	186(4725)	4.3(110)	4.3(110)	17.7(450)	5/6	8000(3500)		
	XBC35M370	145.7(3700)	103.1(2620)	177.8(4515)	193.9(4925)	4.3(110)	4.3(110)	17.7(450)	5/6	8000(3500)		
	XBC35M400	157.5(4000)	109.1(2770)	189.6(4815)	205.7(5225)	4.3(110)	4.3(110)	17.7(450)	5/6	8000(3500)		
Wide view full free triplex mast	XBC35N400	157.5(4000)	78.9(2005)	189(4800)	205.7(5225)	47.4(1205)	30.7(780)	19.3(490)	5/6	8000(3500)		
	XBC35N430	169.3(4300)	82.9(2105)	200.8(5100)	217.5(5525)	51.4(1305)	34.6(880)	19.3(490)	5/6	7900(3500)		
	XBC35N450	177.2(4500)	85.4(2170)	208.7(5300)	225.4(5725)	53.9(1370)	37.2(945)	19.3(490)	5/6	7800(3500)		
	XBC35N470	185(4700)	88(2235)	216.5(5500)	233.3(5925)	56.5(1435)	39.8(1010)	19.3(490)	5/6	7750(3500)		
	XBC35N480	189(4800)	90(2285)	220.5(5600)	237.2(6025)	58.5(1485)	41.7(1060)	19.3(490)	5/6	7700(3500)		
	XBC35N500	196.9(5000)	94.5(2400)	228.3(5800)	245.1(6225)	63(1600)	46.3(1175)	19.3(490)	5/6	7590(3450)		
	XBC35N530	208.7(5300)	98.4(2500)	240.2(6100)	256.9(6525)	66.9(1700)	50.2(1275)	19.3(490)	5/6	7370(3350)		
	XBC35N550	216.5(5500)	102.4(2600)	251.2(6380)	264.8(6725)	70.9(1800)	54.1(1375)	19.3(490)	5/6	7260(3300)		
XBC35N600	236.2(6000)	108.3(2750)	273(6935)	284.4(7225)	80.9(2055)	64.2(1630)	19.3(490)	5/6	6600(3000)			

With sideshifter minus 550lb(250kg),with integral sideshifter minus 330lb(150kg).

## 10000lbs XF series mast:(Cushion)

Type	Model	Max. fork height	Overall height				Free lift		Front Overhang	Tilt range	Capacity	
			Lowered	Extended		Without backrest	With backrest	FIR			Load capacity at 24 in (600mm)	
				Without backrest	With backrest							lb(kg)
		in (mm)	in (mm)	in (mm)	in (mm)	in (mm)	in (mm)	in (mm)	(°)			
Wide view mast	XBC45M250	98.4(2500)	76.4(1940)	130.5(3315)	146.7(3725)	4.3(110)	4.3(110)	18.1(460)	5/6	10000(4500)		
	XBC45M280	110.2(2800)	82.3(2090)	142.3(3615)	158.5(4025)	4.3(110)	4.3(110)	18.1(460)	5/6	10000(4500)		
	XBC45M300	118.1(3000)	86.2(2190)	150.2(3815)	166.3(4225)	4.3(110)	4.3(110)	18.1(460)	5/6	10000(4500)		
	XBC45M330	129.9(3300)	95.3(2420)	162(4115)	178.1(4525)	4.3(110)	4.3(110)	18.1(460)	5/6	10000(4500)		
	XBC45M340	133.9(3400)	97.2(2470)	165.9(4215)	182.1(4625)	4.3(110)	4.3(110)	18.1(460)	5/6	10000(4500)		
	XBC45M350	137.8(3500)	99.2(2520)	169.9(4315)	186(4725)	4.3(110)	4.3(110)	18.1(460)	5/6	10000(4500)		
	XBC45M370	145.7(3700)	103.1(2620)	177.8(4515)	193.9(4925)	4.3(110)	4.3(110)	18.1(460)	5/6	10000(4500)		
	XBC45M400	157.5(4000)	109.1(2770)	189.6(4815)	205.7(5225)	4.3(110)	4.3(110)	18.1(460)	5/6	10000(4500)		
Wide view full free triplex mast	XBC45N400	157.5(4000)	82.1(2085)	189(4800)	205.7(5225)	50.6(1285)	33.9(860)	19.3(490)	5/6	10000(4500)		
	XBC45N430	169.3(4300)	86(2185)	200.8(5100)	217.5(5525)	54.5(1385)	37.8(960)	19.3(490)	5/6	10000(4500)		
	XBC45N450	177.2(4500)	88.6(2250)	208.7(5300)	225.4(5725)	57.1(1450)	40.4(1025)	19.3(490)	5/6	10000(4500)		
	XBC45N470	185(4700)	91.1(2315)	216.5(5500)	233.3(5925)	59.6(1515)	42.9(1090)	19.3(490)	5/6	10000(4500)		
	XBC45N480	189(4800)	93.1(2365)	220.5(5600)	237.2(6025)	61.6(1565)	44.9(1140)	19.3(490)	5/6	9800(4450)		
	XBC45N500	196.9(5000)	97.6(2480)	228.3(5800)	245.1(6225)	66.1(1680)	49.4(1255)	19.3(490)	5/6	9700(4400)		
	XBC45N530	208.7(5300)	101.6(2580)	240.2(6100)	256.9(6525)	70.1(1780)	53.3(1355)	19.3(490)	5/6	9600(4350)		
	XBC45N550	216.5(5500)	105.5(2680)	251.2(6380)	264.8(6725)	74(1880)	57.3(1455)	19.3(490)	5/6	9480(4300)		
XBC45N600	236.2(6000)	115.6(2935)	273(6935)	284.4(7225)	84.1(2135)	67.3(1710)	19.3(490)	5/6	8820(4000)			

With sideshifter minus 770lb(350kg),with integral sideshifter minus 440lb(200kg).

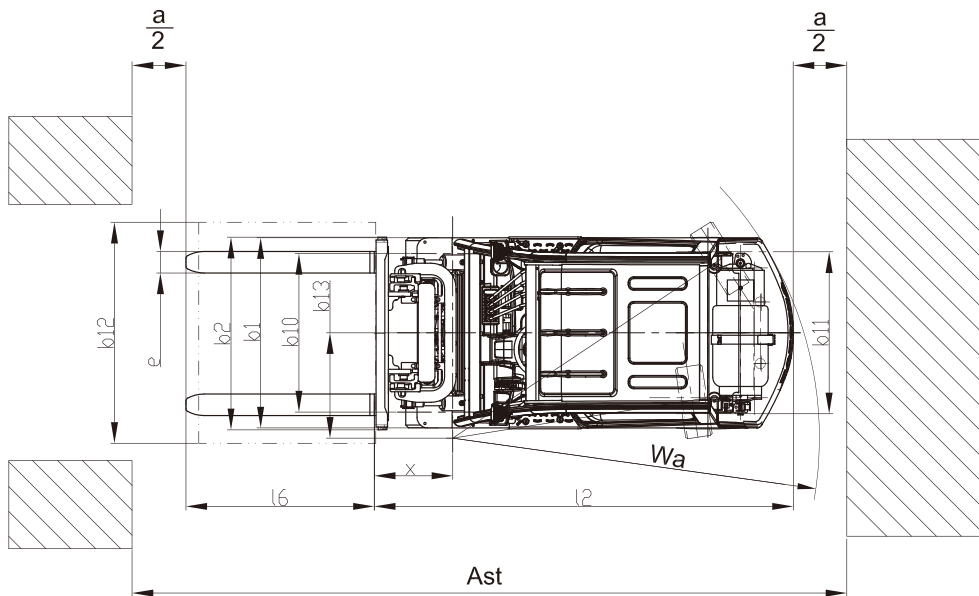
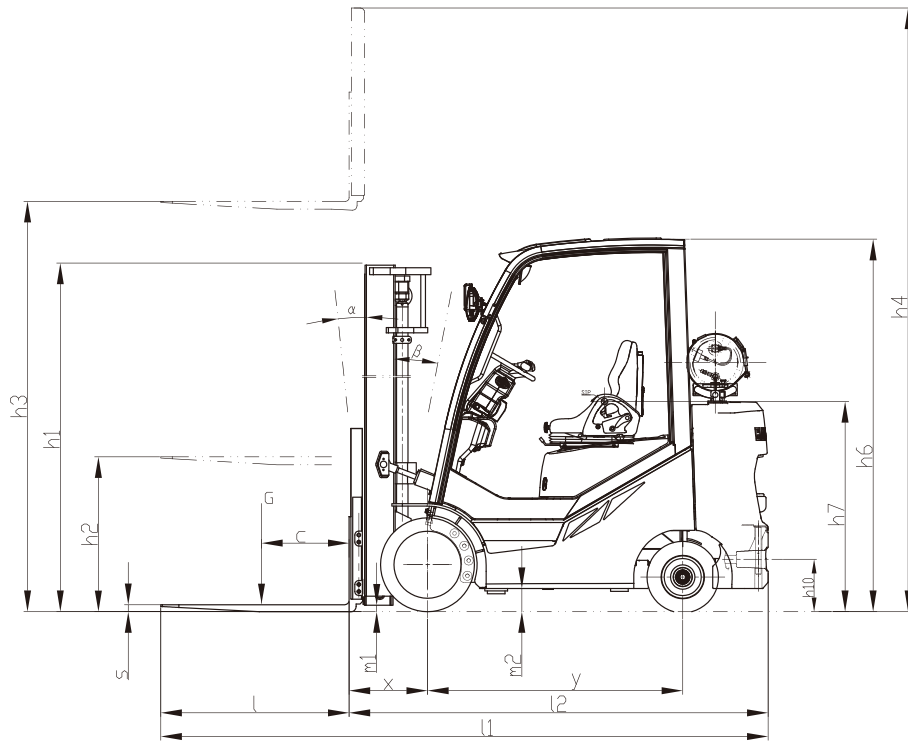
## 12000lbs XF series mast:(Cushion)

Type	Model	Max. fork height	Overall height				Free lift		Front Overhang	Tilt range	Capacity	
			Lowered	Extended		Without backrest	With backrest	FIR			Load capacity at 24 in (600mm)	
				Without backrest	With backrest							lb(kg)
		in (mm)	in (mm)	in (mm)	in (mm)	in (mm)	in (mm)	in (mm)	(°)			
Wide view mast	XBC55M250	98.4(2500)	76.4(1940)	130.5(3315)	146.7(3725)	4.7(120)	4.7(120)	18.5(470)	5/6	12000(5500)		
	XBC55M280	110.2(2800)	82.3(2090)	142.3(3615)	158.5(4025)	4.7(120)	4.7(120)	18.5(470)	5/6	12000(5500)		
	XBC55M300	118.1(3000)	86.2(2190)	150.2(3815)	166.3(4225)	4.7(120)	4.7(120)	18.5(470)	5/6	12000(5500)		
	XBC55M330	129.9(3300)	95.3(2420)	162(4115)	178.1(4525)	4.7(120)	4.7(120)	18.5(470)	5/6	12000(5500)		
	XBC55M340	133.9(3400)	97.2(2470)	165.9(4215)	182.1(4625)	4.7(120)	4.7(120)	18.5(470)	5/6	12000(5500)		
	XBC55M350	137.8(3500)	99.2(2520)	169.9(4315)	186(4725)	4.7(120)	4.7(120)	18.5(470)	5/6	12000(5500)		
	XBC55M370	145.7(3700)	103.1(2620)	177.8(4515)	193.9(4925)	4.7(120)	4.7(120)	18.5(470)	5/6	12000(5500)		
	XBC55M400	157.5(4000)	109.1(2770)	189.6(4815)	205.7(5225)	4.7(120)	4.7(120)	18.5(470)	5/6	12000(5500)		
Wide view full free triplex mast	XBC55N400	157.5(4000)	82.1(2085)	192.1(4880)	205.7(5225)	47.4(1205)	33.9(860)	19.9(505)	5/6	12000(5500)		
	XBC55N430	169.3(4300)	86(2185)	203.9(5180)	217.5(5525)	51.4(1305)	37.8(960)	19.9(505)	5/6	12000(5500)		
	XBC55N450	177.2(4500)	88.6(2250)	211.8(5380)	225.4(5725)	53.9(1370)	40.4(1025)	19.9(505)	5/6	12000(5500)		
	XBC55N470	185(4700)	91.1(2315)	219.7(5580)	233.3(5925)	56.5(1435)	42.9(1090)	19.9(505)	5/6	12000(5500)		
	XBC55N480	189(4800)	93.1(2365)	223.6(5680)	237.2(6025)	58.5(1485)	41.7(1060)	19.9(505)	5/6	11900(5450)		
	XBC55N500	196.9(5000)	97.6(2480)	231.5(5880)	245.1(6225)	63(1600)	49.4(1255)	19.9(505)	5/6	11685(5300)		
	XBC55N530	208.7(5300)	101.6(2580)	243.3(6180)	256.9(6525)	66.9(1700)	50.2(1275)	19.9(505)	5/6	11355(5150)		
	XBC55N550	216.5(5500)	105.5(2680)	254.3(6460)	264.8(6725)	70.9(1800)	57.3(1455)	19.9(505)	5/6	11250(5100)		
XBC55N600	236.2(6000)	115.6(2935)	276.2(7015)	284.4(7225)	80.9(2055)	67.3(1710)	19.9(505)	5/6	11000(5000)			

With sideshifter minus 990lb(450kg),with integral sideshifter minus 550lb(250kg).

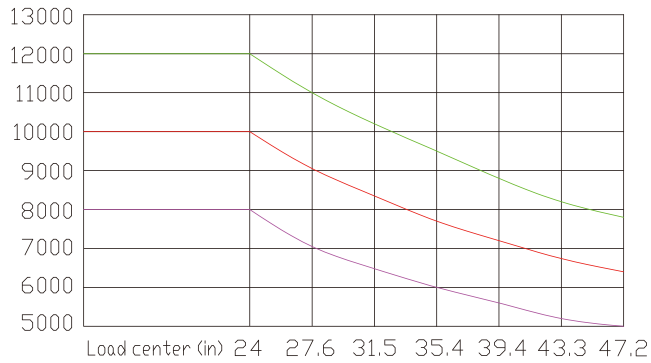
# XF Series Box Car Special Forklift Specification

				HANGCHA GROUP CO.,LTD.			
Distinguishing mark	1.1	Manufacturer					
		HCFA Model		FP35CB	FP45CB	FP55CB	
	1.2	Manufacturer's type designation		CPYD35-XW24B-CB	CPYD45-XW24B-CB	CPYD55-XW24B-CB	
	1.3	Drive: electric (battery or mains), diesel, petrol, fuel gas		LPG	LPG	LPG	
	1.4	Operator type: hand, pedestrian, standing, seated, order-picker		Seated	Seated	Seated	
	1.5	Rated capacity/rated load	Q	lb (kg)	8000(3500)	10000(4500)	12000(5500)
	1.6	Load centre distance	c	in(mm)	24(600)	24(600)	24(600)
	1.7	Load distance, centre of drive axle to fork	x	in(mm)	17.7(450)	18.1(460)	18.5(470)
1.8	Wheelbase	y	in (mm)	61.8(1570)	61.8(1570)	70.5(1790)	
Weight	2.1	Service Weight		lb(kg)	13230(6000)	15080(6840)	16755(7600)
	2.2	Axle loading, laden front/rear		lb(kg)	18560/2670(8290/1210)	22060/3020 (9970/1370)	25625/3130(11680/1420)
	2.3	Axle loading, unladen front/rear		lb(kg)	5405/7825(2450/3550)	5290/9790 (2400/4440)	6375/10380(2890/4710)
Tyres, chassis	3.1	Tyres: solid rubber, superelastic, pneumatic, polyurethane			Cushion	Cushion	Cushion
	3.2	Tyre size, front			22×9-16	22×12-16	22×12-16
	3.3	Tyre size, rear			18×6-12.125	18×8-12.125	18×8-12.125
	3.4	Wheels, number front / rear (x = driven wheels)			2×2	2×2	2×2
	3.5	Tread, front	b10	in (mm)	41(1041)	43.9(1115.2)	43.9(1115.2)
	3.6	Tread, rear	b11	in(mm)	42.3(1074)	44.3(1125)	44.3(1125)
Dimensions	4.1	Tilt of mast/fork carriage forward/backward		α/β (°)	5/6	5/6	5/6
	4.2	Height, mast lowered		h1 in (mm)	86.2(2190)	86.2(2190)	86.2(2190)
	4.3	Free lift		h2 in(mm)	4.3(110)	4.3(110)	4.7(120)
	4.4	Lift		h3 in (mm)	118.1(3000)	118.1(3000)	118.1(3000)
	4.5	Height, mast extended		h4 in (mm)	166.3(4225)	166.3(4225)	166.3(4225)
	4.6	Height of overhead guard		h6 in (mm)	86.5 (2198)	86.5 (2198)	86.5 (2198)
	4.7	Seat height relating to SIP		h7 in (mm)	51.1(1299)	51.1(1299)	51.1(1299)
	4.8	Coupling height		h10 in (mm)	14.6(370)	14.6(370)	14.6(370)
	4.9	Overall length		l1 in (mm)	138.6(3520)	142.3(3615)	154.3(3920)
	4.10	Length to face of forks		l2 in (mm)	96.5(2450)	100.2(2545)	106.3(2700)
	4.11	Overall width(without backrest)		b1 in(mm)	50(1270)	55.9(1420)	55.9(1420)
	4.12	Fork dimensions		s/e/l in (mm)	2×4.8×42(50×122×1070)	2×6×42(50×150×1070)	2.4×6×48(60×150×1220)
	4.13	Fork carriage DIN 15 173 --- ISO 2328, class/type A,B			Class 3A	Class 3A	Class 4A
	4.14	Backrest width		b2 in (mm)	45.8(1164)	51.7(1314)	51.7(1314)
	4.15	Fork-carriage width		b3 in(mm)	43.3(1100)	49.2(1250)	49.2(1250)
	4.16	Distance between fork-arms		b5 in (mm)	10-41.3(255-1050)	12.2-47.2(310-1200)	12.2-46.9(310-1190)
	4.17	Ground clearance, laden, below mast		m1 in (mm)	3.1(80)	3.1(80)	3.1(80)
	4.18	Ground clearance, centre of wheelbase		m2 in (mm)	5.9(149)	5.9(149)	5.9(149)
	4.19.1	Aisle width for pallets 1000 x 1200 crossways		Ast in (mm)	141.3(3590)	145.3(3690)	151.6(3850)
	4.19.2	Aisle width for pallets 800 x 1200 lengthways		Ast in (mm)	149.2(3790)	153.1(3890)	159.4(4050)
	4.20	Turning radius		Wa in(mm)	84.3(2140)	87.8(2230)	93.5(2380)
4.21	Minimum pivoting distance		b13 in(mm)	24.3(617)	24.3(617)	25.3(642)	
Performance Data	5.1	Travel speed, laden/unladen		mph(km/h)	12.2/12.9(19.7/20.8)	12.1/12.8(19.5/20.6)	11.4/12.1(18.3/19.4)
	5.2	Lift speed, laden/unladen		ft/min(m/s)	104.3/114.2(0.53/0.58)	92.5/102.4(0.47/0.52)	78.7/88.6(0.40/0.45)
	5.3	Lowering speed, laden/unladen		ft/min(m/s)	98.4/88.6(0.50/0.45)	98.4/88.6(0.50/0.45)	98.4/88.6(0.50/0.45)
	5.4	Drawbar pull, laden/unladen		N	42000/16500	44000/16500	48000/18400
	5.5	Gradeability, laden/unladen		%	39/16	36/16	34/16
	5.6	Service brake			Hydraulic	Hydraulic	Hydraulic
	5.7	Parking brake			Mechanical	Mechanical	Mechanical
Combustion-engine	6.1	Engine manufacturer/type			PSI 4.3L LPG CERT	PSI 4.3L LPG CERT	PSI 4.3L LPG CERT
	6.2	Engine power		hp (kW)	105(77)	105(77)	105(77)
	6.3	Rated speed		r/min	2300	2300	2300
	6.4	Number of cylinders/displacement		(-)/(cm <sup>3</sup> )	6/4294	6/4294	6/4294
	6.5	Generator		A	70	70	70
	6.6	Vehicle electrical system voltage		V	12	12	12
	6.7	Battery voltage/nominal capacity		V/Ah	12/60	12/60	12/60
	6.8	Rated torque		N·m/r/min	332.85/1400	332.85/1400	332.85/1400
	6.9	Transmissions Manufacturer			OKAMURA	OKAMURA	OKAMURA
	6.10	Transmissions Type			Powershift	Powershift	Powershift
	6.11	Stage FWD/RVS			1/1	1/1	1/1
Addition data	7.1	Operating pressure for attachments		psi(MPa)	2683(18.5)	2683(18.5)	2683(18.5)
	7.2	Hydraulic Tank - capacity (drain & refill)		gal(liter)	18.5(70)	21.1(80)	26.4(100)
	7.3	Fuel tank capacity		gal(liter)	NA	NA	NA



$$Ast = L6 + X + Wa + a \quad a = 200$$

Lifting height ~ 118.1 in (lb)





**HANGCHA FORKLIFT CANADA INC.**

**Company address:**

6-980 Rue Valois, Vaudreuil-Dorion,  
QC, J7V 8P2, Canada

Toll Free: 877-319-HCFC (4232)

Landline: 450-319-HCFC

[info@hcforkliftcanada.com](mailto:info@hcforkliftcanada.com)  
[www.hcforkliftcanada.com](http://www.hcforkliftcanada.com)



ISO14001:2015



ISO9001:2015



Follow us on  
Facebook



Follow us on  
YouTube



Follow us on  
WeChat



Download "Hangcha  
Forklift" App



HANGCHA GROUP CO., LTD. reserves the right to make any changes without notice concerning colors, equipment, or specifications detailed in this brochure, or to discontinue individual models. The colors of trucks, delivered may differ slightly from those in brochures.