

4WD ROUGH TERRAIN FORKLIFT



Four-wheel Drive Rough Terrain Forklift

with capacities of 11,000lbs



HANGCHA FORKLIFT CANADA INC.

Company address:
980 Rue Valois, Suite 150,
Vaudreuil-Dorion, Quebec J7V 8P2

Toll Free: 877-319-HCFC (4232)
Landline: 450-319-HCFC

info@hcforkliftcanada.com
www.hcforkliftcanada.com



Follow us on
Facebook



Follow us on
YouTube



Follow us on
WeChat



Download "Hangcha
Forklift" App



ISO14001:2015



ISO9001:2015

2021 VERSION 1/COPYRIGHT 2021/12

HANGCHA GROUP CO., LTD. reserves the right to make any changes without notice concerning colors, equipment, or specifications detailed in this brochure, or to discontinue individual models. The colors of trucks, delivered may differ slightly from those in brochures.

The World of Hangcha
SINCE 1956



CONCEPT

HANGCHA 11,000lbs rough terrain forklift with 4WD was developed on the basis of the XF series of Hangcha. It adopts the Deutz engine, which is powerful and reliable, easy to maintain;

It can adapt to the rugged roads in the stone market, timber market, construction sites, etc., as well as the wet and slippery roads in rain and snow.

4WD
ROUGH TERRAIN



Safety

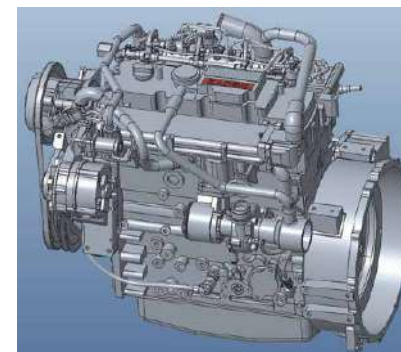
- / Thanks to the steering oil circuit and the brake oil circuit are independent of each other, thereby reducing the interference of the brake on the steering, the hydraulic braking system is very safe.
- / With the structure of brake valve plus the accumulator, it is safer and reliable.
- / The returned oil filtration device is taken as the standard configuration to extend the service life of the hydraulic elements.
- / OPS function is available for option, work is safer and reliable.

Comfort

- / With the suspension and integrated overhead guard, full-floating transmission, complex engine shock absorber and suspension seat, driving is more comfortable, and the vibration and noise of the truck can be reduced.
- / The extra foot space is provided to reduce operator fatigue significantly, non-slip step makes getting in and out easy and safe. The new designed steering wheel, new brake system and the easy-to-operate levers provide total handling operation.
- / Excellent upward visibility is provided by a large roof screen, in fact, visibility all-round is excellent.

Powerful and reliable engine

- / The 3.6-litre DEUTZ /Tier4F-compliant engine produces its peak power (74.3hp) and torque (390Nm) at engine speeds as low as 1300 rpm for great responsiveness.



Easy maintenance

- / The two-piece design makes the floorboard easy to lift and remove for access to the power train.
- / The radiator cover can be turned easily by hand to enable quick inspections or servicing.



The easy-to-open hook provides quick access to the engine compartment



Three forward gears- Suspension hydraulic transmission with three forward gears, top speed reach 15.5mile/h



Large screen display, the instrument panel adopts injection molding design, sturdy and durable



Oscillating steer axle allows either wheel to step over obstacles keeping the truck and load level



To achieve maximum productivity, a rough terrain forklift operator needs to be comfortable and in control. We've created a workplace that gets the best from your operators and your machinery

Reliability

- / The reinforced truck chassis with CAE simulation software, optimized design is conducted for the tilt cylinder and steering drive axle installation.
- / Dual air filters and two-stage air filter are taken as the standard configuration to guarantee that the engine can operate for long time and under the optimal status.
- / Deutz engine adopt, "TCl+CR+EGR+DOC" technical route. Adopt EURO III B/Tier4F emission can be met, and it is energy-saving and environment-friendly; A turbo engine further enhances performance at low engine speeds for improved power and tractive effort.



The differential is specifically designed for rough terrain and features manual differential lock providing ultimate traction during inclement weather conditions and rough operating surfaces, it differerntial lock prevents power loose when one wheel spins.



Full-floating hydraulic drive gear box has the function of switching between 2WD and 4WD, and can provide higher run speed and stronger climbing ability.

Higher specification fork mounting level-3B, more weight can be loaded.



Front tyre

Rear tyre



Productivity

The transmission system gets the maximum performance from the engine without reaching high revolutions, which provides fuel saving, noise level reduction and engine life increase.



The new Dynamic load sensing hydraulic steering system contributes to reduce loss of hydraulic and improve energy efficiency.



The new efficiency lighting system employs LED illuminant and new type reflector to reduce energy consumption, improve significantly illumination performance and prolong work time.



Wet brake offers maximum service life for your brake system.

Maneuverability

The distance to ground is 14.6", it offers greater maneuverability and keep the truck moving in the roughest of applications, and yet we keep a very low center of gravity, by using a distributed weight in the forklift, giving it an excellent stability.





Four-wheel Drive Rough Terrain Forklift

Distinguishing mark	1.1	Manufacturer	HANGCHA GROUP CO.,LTD.	
		HGFA Model	RT50	
	1.2	Manufacturer's type designation	CPD50-XW65C-RT4	
	1.3	Drive: electric (battery or mains), diesel, petrol, fuel gas	Diesel	
	1.4	Operator type: hand, pedestrian, standing, seated, order-picker	Seated	
	1.5	Rated capacity/rated load	Q lb(kg)	11000(5000)
	1.6	Load centre distance	c in(mm)	24(600)
	1.8	Load distance, centre of drive axle to fork	x in(mm)	28.9(735)
	1.9	Wheelbase	y in(mm)	84.6(2150)
Weight	2.1	Service Weight	lb(kg)	19620(8900)
	2.2	Axle loading, laden front/rear	lb(kg)	27100/3520(12300/1600)
	2.3	Axle loading, unladen front/rear	lb(kg)	9370/10250(4250/4650)
Tyres, chassis	3.1	Tyres: solid rubber, superelastic, pneumatic, polyurethane	Pneumatic	
	3.2	Tyre size, front	445/65-22.5	
	3.3	Tyre size, rear	12.5/80-18	
	3.5	Wheels, number front / rear (x = driven wheels)	4x4	
	3.6	Tread, front	b ₀ in(mm)	65.3(1660)
	3.7	Tread, rear	b ₁ in(mm)	69.3(1760)
	Dimensions	4.1	Tilt of mast/fork carriage forward/backward	α/β(°)
4.2		Height, mast lowered	h ₁ in(mm)	104.6(2685)
4.3		Free lift	h ₂ in(mm)	10.2(260)
4.4		Lift	h ₃ in(mm)	118.1(3000)
4.5		Height, mast extended	h ₄ in(mm)	178.5(4534)
4.7		Height of overhead guard (cabin)	h ₅ in(mm)	101.4(2575)
4.19		Overall length	l ₁ in(mm)	191.5(4865)
4.20		Length to face of forks	l ₂ in(mm)	144.3(3665)
4.21		Overall width	b ₁ in(mm)	82.9(2105)
4.22		Fork dimensions ISO 2331	s/e/l in(mm)	2.4×5.9×47.2(60×150×1200)
4.23		Fork carriage DIN 15 173 --- ISO 2328, class/type A,B		B
4.24		Fork-carriage width	b ₃ in(mm)	76.8(1950)
4.25		Distance between fork-arms	b ₅ in(mm)	11.4-76.8(290-1950)
4.31		Ground clearance, laden, below mast	m ₁ in(mm)	15.1(385)
4.32		Ground clearance, centre of wheelbase	m ₂ in(mm)	14.6(370)
4.34	Aisle width	A _{st} in(mm)	248(6305)	
4.35	Turning radius	W _a in(mm)	163.4(4150)	
Performance Data	5.1	Travel speed, laden/unladen	mph(km/h)	15.5/15.5(25/25)
	5.2	Lift speed, laden	ft/min(m/s)	88.6/102.4(0.45/0.52)
	5.3	Lowering speed, laden	ft/min(m/s)	98.4/84.7(0.5/0.43)
	5.5	Drawbar pull, laden	N	85000
	5.7	Gradeability, laden	%	45
	5.10	Service brake		Hydraulic
	Parking brake		Mechanical	
Combustion-engine	7.1	Engine manufacturer/type	DEUTZ TCD 3.6 L4	
		Emission STD	Tier4F	
	7.2	Engine power according to DIN ISO 1585	hp/r/min(kw/r/min)	74.3/2300(55.4/2300)
	7.3	Rated speed	N r/min	390/1300
	7.4	Number of cylinders/displacement	[-]/[cm ³]	4/3620
7.10	Battery voltage/nominal capacity	V/Ah	24/90	
Addition data	10.3	Hydraulic Tank - capacity (drain & refill)	gal(liter)	30.4(115)
	10.4	Fuel tank capacity	gal(liter)	31.7(120)

Standard specification

- / Counterweight net cover
- / Full-suspension seat
- / Pre-cleaner
- / Overhead guard Exhaust
- / Fuel tank cap (with lock)
- / Fan protection device
- / Rear working light
- / Strobe light
- / Emergency switch
- / Right and left reflective mirrors
- / PVC roof
- / Wet brake

Options

- / Front windshield and wipers
- / Full cabin
- / Solid tyre
- / 3rd/4th/5th valve
- / Reverse alarm
- / Blue light
- / OPS system
- / Heater
- / Overhead fan
- / Side shift
- / Side shift and fork positioner



11,000lb(5t) mast:(pneumatic)

Type	Model	Max.fork height	Overall height			Free lift		Front overhang	Tilt range		Capacity max height Load Center 24in(600mm)	
			Lowered in(mm)	Without backrest in(mm)	Extended With backrest in(mm)	Without backrest in(mm)	With backrest in(mm)		FWD	BWD	ISO 22915-2 Rough-terrain trucks with mast	ISO 22915-13 Rough-terrain trucks with mast
Wide view mast		in(mm)	11000lb(5t)	11000lb(5t)	11000lb(5t)	11000lb(5t)	11000lb(5t)	11000lb(5t)	(°)	(°)	lb(kg)	lb(kg)
	RTCS0M300	118.1(3000)	105.7(2685)	164.7(4183)	178.5(4534)	6.3(160)	6.3(160)	28.9(735)	15	15	10360(4700)	10360(4700)
	RTCS0M330	129.9(3300)	111.6(2835)	176.5(4483)	190.3(4834)	6.3(160)	6.3(160)	28.9(735)	15	15	10360(4700)	10360(4700)
	RTCS0M350	137.8(3500)	115.5(2935)	184.4(4683)	198.2(5034)	6.3(160)	6.3(160)	28.9(735)	15	15	10360(4700)	10360(4700)
	RTCS0M370	145.7(3700)	119.5(3035)	192.2(4883)	206.1(5234)	6.3(160)	6.3(160)	28.9(735)	15	15	10360(4700)	10360(4700)
	RTCS0M400	157.5(4000)	125.4(3185)	204.1(5183)	217.9(5534)	6.3(160)	6.3(160)	28.9(735)	15	15	10360(4700)	10360(4700)
Wide view full free triplex mast	RTCS0M450	172.1(4500)	137.2(3485)	223.8(5685)	237.6(6034)	6.3(160)	6.3(160)	28.9(735)	15	15	10472(4750)	1041(4600)
	RTCS0M500	196.9(5000)	147(3735)	243.5(6185)	257.2(6534)	6.3(160)	6.3(160)	28.9(735)	15	15	9259(4200)	9039(4100)
	RTCS0N400	157.5(4000)	108.7(2760)	215.4(5470)	217.9(5534)	51.2(1300)	41.4(1051)	31.7(804)	15	15	11000(5000)	11000(5000)
	RTCS0N430	169.3(4300)	112.2(2850)	226(5740)	229.7(5834)	55.9(1420)	44.9(1141)	31.7(804)	15	15	10141(4600)	9921(4500)
	RTCS0N450	177.2(4500)	114.6(2910)	233.1(5920)	237.6(6034)	59.1(1500)	47.3(1201)	31.7(804)	15	15	9480(4300)	9039(4100)
	RTCS0N480	189(4800)	118.5(3010)	244.9(6220)	249.4(6334)	63(1600)	51.2(1301)	31.7(804)	15	15	9039(4100)	8968(3900)
	RTCS0N500	196.9(5000)	120.5(3060)	251.9(6399)	257.2(6534)	65.8(1671)	53.2(1351)	31.7(804)	10	15	8598(3900)	7716(3500)
	RTCS0N550	216.5(5500)	128.3(3260)	274.4(6970)	276.9(7034)	70.9(1800)	61.1(1551)	31.7(804)	10	15	7058(3200)	5732(2600)
	RTCS0N600	236.2(6000)	134.3(3410)	292.1(7420)	296.6(7534)	78.7(2000)	67(1701)	31.7(804)	10	15	6173(2800)	5071(2300)
	RTCS0N650	255.9(6500)	140.2(3560)	316.3(8034)	311(7899)	85.5(2171)	80(2036)	31.7(804)	10	15	5071(2300)	3968(1800)

With sideshifter minus 880lb(400kg),with integral sideshifter minus 660lb(300kg).

