



VR1056D TELEHANDLER



Skyjack's VR1056D offers superior visibility, added lift height, and safe transport when in the carry position. All boom components are enclosed within the four piece boom section for ultimate protection and serviceability.

Featuring a maximum capacity of 10,000 lbs. (4,540 kg) and a lift height of 56' 3" (17.15 m), the VR1056D offers Skyjack's industry leading rugged, robust, and reliable design features. The VR1056D is ideal for residential and non-residential trades requiring maximized capacity and height.

SKYJACK[™]

VR1056D TELEHANDLER

10,000 lbs (4,540 kg) capacity, 56' 3" (17.15 m) maximum lift height

DIMENSIONS

Wheelbase.....	11'1"	3.37 m
Overall Width.....	8'6"	2.59 m
Overall Height (stowed)	8'2"	2.48 m
Overall Length (less forks)	22'6"	6.86 m
Ground Clearance	16"	41 cm
Operating Weight	31,494 lb	14,315 kg
Turning Radius (outside).....	12'9"	3.89 m
Frame Leveling (degrees).....	+/- 10	

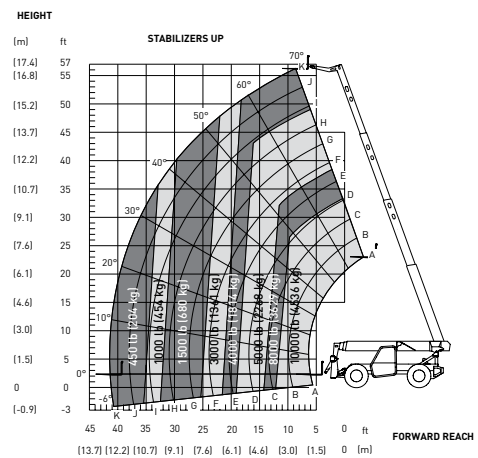
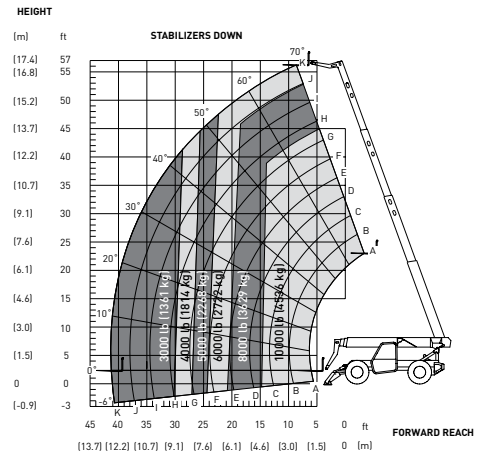
SPECIFICATIONS

Engine	Cummins Tier 3 QSB3.3 Turbocharged Diesel
HP @ rpm	110 horsepower @ 2400 rpm
Transmission.....	Dana powershift, 3 speeds forward and reverse
Top Speed.....	18 mph (29 km/h)
Axles.....	Dana steerable outboard planetary
Brakes.....	Service - 4 wheel wet disc Parking - SAHR on front axle
Tire	14 x 24 16PR grip lug
Steering.....	3 mode (2 wheel, 4 wheel, crab)
Boom	Maximum lift height - 56'3" (17.14 m) Maximum forward reach 41'5" (12.65 m) Carriage rollback - 23 degrees (boom lowered) Carriage forward tilt - 90 degrees (boom elevated)
General.....	Fuel tank capacity - 35 US gal. (133L) Hydraulic tank capacity - 40 US gal. (151L) 12 volt - 60 amp. alternator

STANDARD EQUIPMENT

- Frame-mounted stabilizers
- EZ-Lock rear axle stabilization system
- Standard quick attach carriage mount system
- Single function auxiliary hydraulics
- Dual lift cylinders with cushioning effect
- See through open "A" frame high pivot boom mount design
- ROPS/FOPS certified cab with see through FOPS guard
- Rear window w/wiper
- Side window
- Adjustable vinyl seat with seat belt
- Ergonomic joystick console with armrest and cup holder
- Single multifunction pilot operated joystick control
- Instrumentation: hourmeter and fuel gauge, indicator lights for transmission oil temperature, battery condition, engine coolant pressure and engine oil pressure
- Park brake test button
- 12V DC electrical system with 12V power outlet in cab
- Lockable in cab storage box
- Mid-mount in line engine design
- Lockable sliding engine cover allows access with boom fully stowed
- Engine grid heater
- Dual element air cleaner with flow restriction indicator
- 40 (151L) gallon steel hydraulic tank with lockable cap
- 35 (133L) gallon steel fuel tank with lockable cap
- Horn and backup alarm
- Mirrors, right and left side
- Remote grease fittings for axle trunnion mount lubrication
- Easy to remove steel component and access covers
- Operator/Maintenance and Parts manuals
- 12 months/2000 hour warranty (4 years on structure)

CAPACITY CHART



OPTIONAL EQUIPMENT

- Deduct Single Auxiliary Hydraulics
- Road Lighting Package (includes 1 headlight, 2 front and 1 rear work lights, boom lights, and turn signals)
- Work and Boom Lighting Package (includes 2 front and 1 rear work lights, and 2 boom lights)
- Rotating Beacon
- All Weather Cab (w/wipers, heater & defroster, fan, tinted glass, sliding side window and suspension seat)
- Cab Air Conditioning
- Open Operator Station Upgrade (w/vandal cover and full suspension seat)
- Vandal Protection
- Block Heater
- Hydraulic Test Ports
- Four Wheel Fender Set
- Foam Filled Rough Terrain Tires
- Hard Surface Tread Tires
- Foam Filled Hard Surface Tread Tires
- Solid Rubber Tires

ATTACHMENTS

- Various Carriage/Fork Sizes
- 72 in. Swing Carriage
- 2' High Capacity Jib Boom
- 12' Truss Boom
- 15' Truss Boom
- 1.75 yd³ 95 in. wide Bucket
- DryWall Handler (used in conjunction with most carriage and pallet fork configurations)
- Scrap Grapple Bucket*

*Requires auxiliary hydraulic package

Note: Materials and specifications are subject to change without notice.

Skyjack Head Office

55 Campbell Rd. Guelph, ON Canada N1H 1B9
Sales Inquiries: 1-877-755-4387 (1-877-SJLIFTS)
Main Switchboard: 1-800-265-2738
Phone: 519-837-0888
Fax: 519-837-8104
Email: skyjack@skyjack.com

www.skyjack.com

IMPORTANT

- Machine design complies with ANSI/ITSDF B56.6-2005 stability requirements for rough terrain forklifts.
- Rated capacities shown are with machine on firm level ground, steered straight with frame level and on properly inflated tires
- Read boom angle and boom extension, then determine allowable load from chart.
- Do not exceed rated loads as dangerous and unstable machine conditions will result.
- Always travel with boom retracted in the lowest possible position.

SKYJACK™