



Electric Pallet Trucks 4400 lb. Capacity T20

SERIES 1152

Linde Material Handling

The Linde logo is displayed in white cursive script on a red background.

Safety

Linde engineers have designed this new pallet truck around the concept of active and passive safety. Passive safety demands that edges are smooth and rounded; that the battery compartment is covered and that the power cable is routed inside to avoid snagging. Standard caster wheels keep the truck stable while maneuvering in tight areas and add to active safety during operation.

Performance

The combination of AC motor technology and Linde LAC digital control makes these pallet trucks highly productive. Operating parameters can be adjusted to match customer requirements and application. When additional power is needed, an automatic momentary power boost provides higher torque to overcome an obstacle. Standard, hardened steel, entry and exit rollers ensure quickest possible pallet pickup and drop-off. In addition, a very practical “creep speed button” allows utmost maneuverability in confined areas. The unique “proportional speed system” will automatically regulate travel speed according to the tiller angle.

Comfort

Through the application of Sinergo®, an innovative, all inclusive, design concept, which incorporates every aspect of operator and truck interface, all controls on the ergonomically shaped tiller

handle can be easily operated by either hand. Ideal angles and specifically designed touch surface material allow for a secure grip and ideal operational positioning of hand, wrist and arm.

Reliability

Not only does this truck look good, it is also very rugged and durable. New materials are used for various components. Grivory® ensures that the tiller arm is light but also sturdy. The motor compartment cover made of Exxtral® is extremely strong yet flexible, for utmost component protection. Fork tips are made from cast steel to ensure maximum performance and durability.

Service

Maintenance free AC motors contribute to the low intervals of periodic service. Preventive maintenance is only required at 1000 hour intervals. All truck data is quickly available via a CAN-bus operational system. Easy access to all components ensures fast repairs and maximum machine uptime.

Standard equipment / Optional equipment

Standard Equipment

Sinergo®, operator / truck interface

- Tiller-arm with low mounting point
- Exxtral® motor and battery compartment cover
- Creep speed control
- Proportional speed control
- End-of-stroke tiller-arm dampening
- Storage compartments

Multifunction display with hourmeter, maintenance indicator, battery discharge indicator and internal fault code display

AC motor

Linde LAC controller

Key switch

Horn

CAN-bus technology

Electromagnetic brake

Automatic parking brake

Cushion rubber drive wheel

Single polyurethane load wheels

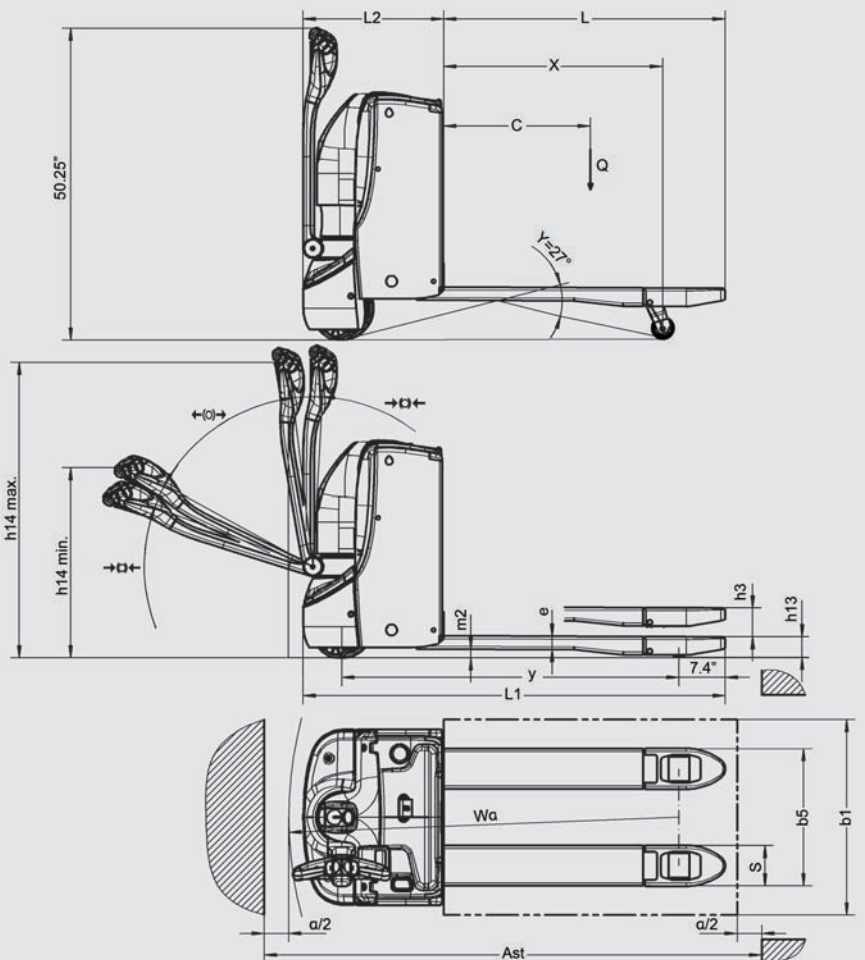
Fork length: 47" (nominal)

Width across forks: 27" (nominal)

Standard protection to 20°F

Pallet entry and exit rollers

Caster wheels



Optional equipment

Drive wheels (variations)

Alternative fork lengths and widths

Load backrest

Pin code access

Cold storage protection

Check with dealer/factory for additional equipment availability.

Technical Data

December 2011 SERIES 1152 (T20)

	Item #	Description	Units		Value	
			US	SI	US	SI
Characteristics	1.1	Manufacturer			Linde	
	1.2	Model designation			T20 (USA)	
	1.3	Power unit			Battery	
	1.4	Operation			Pedestrian	
	1.5	Load capacity	Q	lb. kg	4400	2000
	1.6	Load center	C	in. mm	24	600
	1.8	Axle center to fork face	X	in. mm	34.5 / 37.8 ¹⁾²⁾	876 / 960 ¹⁾²⁾
	1.9	Wheelbase	y	in. mm	56.6 / 59.2 ¹⁾²⁾	1437 / 1503 ¹⁾²⁾
Weights	2.1	Service weight		lb. kg	972 ³⁾	441 ³⁾
	2.2	Axle load with load, front/rear		lb. kg	1782 / 3562 ³⁾	809/1616 ³⁾
	2.3	Axle load without load, front/rear		lb. kg	754 / 218 ³⁾	342 / 99 ³⁾
Wheels/Tires	3.1	Tires (C = cushion - solid rubber, P = Polyurethane)			C + P ⁴⁾	
	3.2	Tire size, drive wheels		in. mm	9.1 x 3.5	230 x 90
	3.3	Tire size, load wheels		in. mm	3.1 x 4.1	80 x 105
	3.4	Caster wheels		in. mm	4.9 x 1.6	125 x 40
	3.5	Wheels, number of drive wheels (x = driven)			1x + 2	1x + 2
	3.6	Track width, caster wheels	b10	in. mm	19.0 ¹⁾	482 ¹⁾
	3.7	Track width, load wheels	b11	in. mm	15.6 / 20.3 ¹⁾	395 / 515 ¹⁾
Dimensions	4.4	Lift	h3	in. mm	4.9 ¹⁾	125 ¹⁾
	4.9	Height of tiller arm in operating position, min/max	h14	in. mm	29.1 / 47.6	740 / 1208
	4.15	Fork height, lowered	h13	in. mm	3.2	83
	4.19	Overall length	L1	in. mm	69.9 ¹⁾	1775 ¹⁾
	4.20	Length to fork face	L	in. mm	22.6 ¹⁾	575 ¹⁾
	4.21	Overall width	b1/b2	in. mm	28.3 ¹⁾	720 ¹⁾
	4.22	Fork dimensions	S/e/L	in. mm	6.5 x 2.2 x 47.3	165 x 55 x 1200
	4.25	Fork spread, min/max	b5	in. mm	22.0 / 26.8 ¹⁾	560 / 680 ¹⁾
	4.32	Ground clearance, center of wheelbase	m2	in. mm	1.3 / 6.3 ²⁾	33 / 158 ²⁾
	4.34	Aisle width with 48" pallet	Ast	in. mm	83.9 ⁵⁾	2129 ⁵⁾
4.35	Turning radius	Wa	in. mm	62.4 / 65.2 ²⁾⁵⁾	1585 / 1655 ²⁾⁵⁾	
Performance	5.1	Travel speed, with/without load		mph km/h	3.5 / 3.5	5.6 / 5.6
	5.8	Maximum climbing ability, with/without load		%	10 / 24	
	5.9	Acceleration time, with/without load		s	7.6 / 6.4	
Drive	6.1	Drive motor, 60 minute rating		hp kW	1.6	1.20
	6.2	Lift motor rating at 15%		hp kW	1.6	1.20
	6.3	Battery compartment size, l x w x h		in. mm	9.2 x 25.7 x 24.8	235 x 654 x 630
	6.4	Battery voltage		V	24	
	6.5	Battery weight (± 5%)		lb. kg	400	181
Others	8.1	Type of drive control			LAC	LAC
	8.4	Noise level at operator's ear		dB(A)	<70	<70

1) (± 5 mm)

2) Forks raised / lowered

3) (± 10%)

4) Cushion - solid rubber + polyurethane

5) With creep speed = tiller in vertical position, includes 8 inch operating clearance

Features

Steering system

- Proportional speed control varies truck speed automatically in relation to tiller-arm angle for safe, comfortable and productive operation
- A creep speed button ensures high maneuverability in confined areas when operating at low speeds with the tiller-arm in the upright position
- End-of-stroke resistance on the tiller-arm avoids accidental, abrupt braking
- Soft fold-back slows down the tiller-arm when returning to upright position

Working station & Display

- Wide, deep storage compartment for shrink wrap, pens, markers etc.
- Strong plastic Exxtral® motor and battery cover
- Multifunction display as standard with hourmeter, maintenance indication, battery discharge indicator, fault code indication



Braking system

- Highly efficient electromagnetic brake applied by moving the tiller-arm to fully up or down position
- Automatic deceleration when releasing traction butterfly or reversing direction
- Truck slows before coming to a stop, remaining under total control at all times



Chassis & Forks

- Compact, rounded shape
- Strong, robust steel construction
- Low chassis skirt to protect operator's feet
- Cast steel fork tips
- Large caster wheels with shock absorbers for stability on ramps and uneven floors

Tiller-arm & Control handle

- The ergonomic Grivory® material ensures effortless operation
- Wrap-around hand protection
- Comfortable controls, operable with either hand and gloves



Batteries and Chargers

- Vertical battery change
- Battery capacities from 150 Ah to 375 Ah

AC motor & Booster effect

- Powerful, smooth-running AC motor, 1.2kW (at 100% output)
- Traction speed adjustable
- Booster effect provides momentary torque increase
- No roll-back on hill starts
- Gradient performance: 24% unladen, 10% with full load



Maintenance and CAN-bus technology

- Zero maintenance, moisture and dust-proof AC motors
- CAN-bus technology enables fast, easy access to all truck data
- Individually adjustable operating parameters
- Quick and convenient access to all components

Linde Material Handling North America Corporation
2450 West 5th North Street, Summerville, SC 29483
Phone: (843) 875.8000 · Truck Sales Fax: (843) 875.8471
E-mail: trucksales@lmh-na.com · Web Site: www.lmh-na.com

Linde Material Handling

Linde

ANSI: Standard truck meets all applicable mandatory requirements of ANSI/ITSDF B56.1 standards for powered industrial trucks.
NOTE: Performance data may vary due to motor and system efficiency tolerances. The performance depicted represents nominal values obtained under typical operating conditions. Metric dimensions are in millimeters unless otherwise specified. All metric dimensions are to rounding data. The descriptions and specifications included on this data sheet were in effect at the time of printing. Linde Material Handling North America Corporation reserves the right to make improvements and changes in specification or design without notice and without incurring obligation. Please check with your authorized Linde dealer for information on possible updates or revisions.

linde_spec_series 1152_T20_1211
USA_V12_1_020212